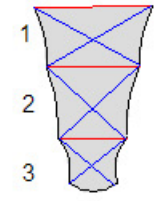
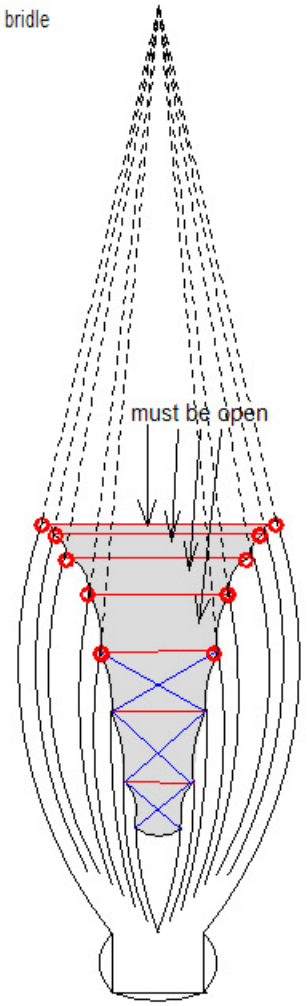
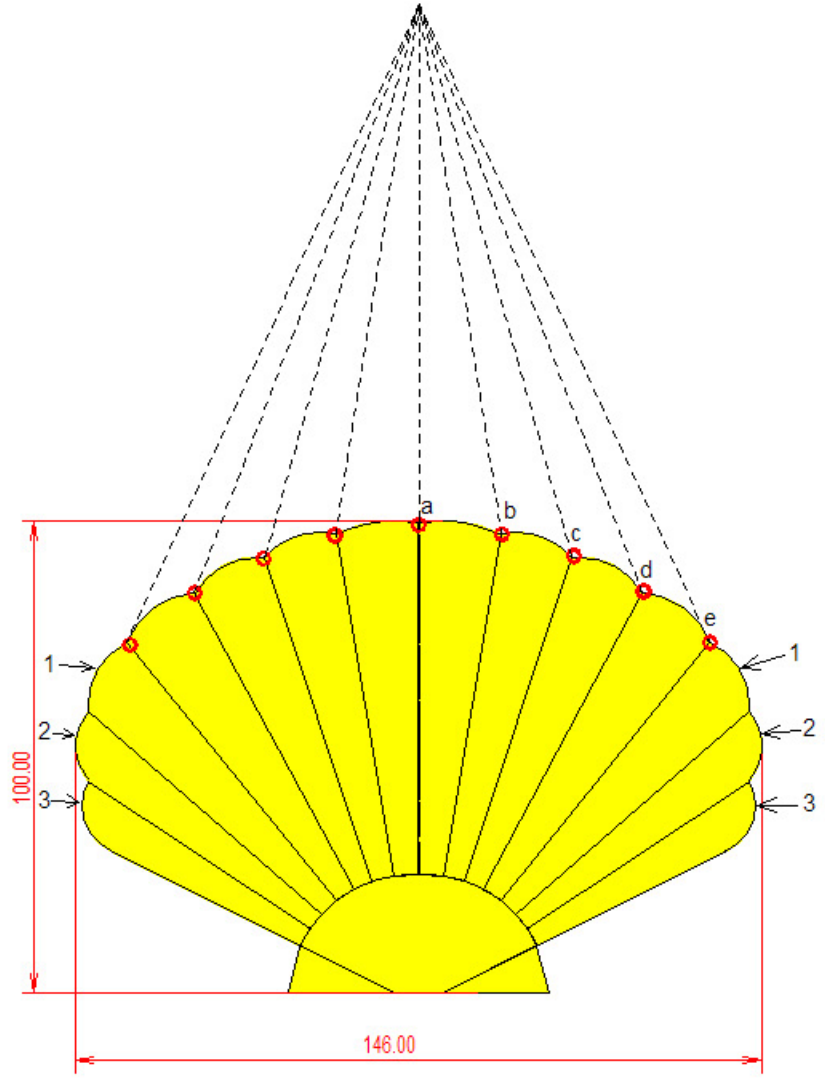


length of the bridle

- a = 110.00
- b = 114.00
- c = 122.00
- d = 134.00
- e = 149.00

general view and bridle

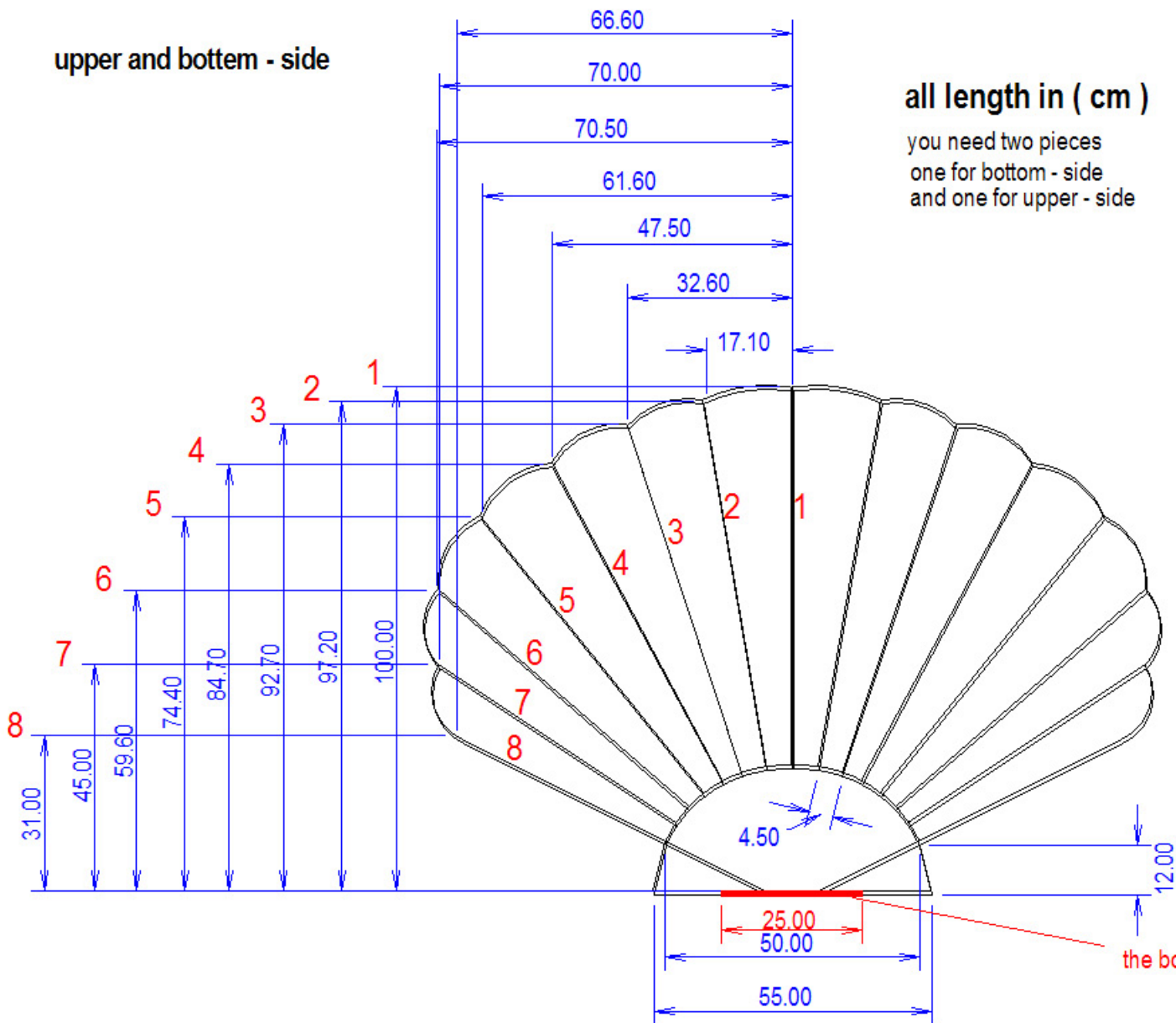


pieces 1/2 and 3 must be closed

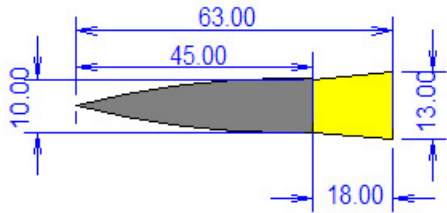
upper and bottem - side

all length in (cm)

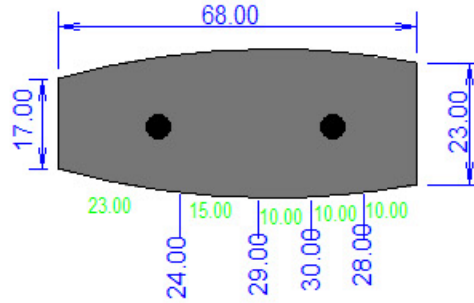
you need two pieces
 one for bottom - side
 and one for upper - side



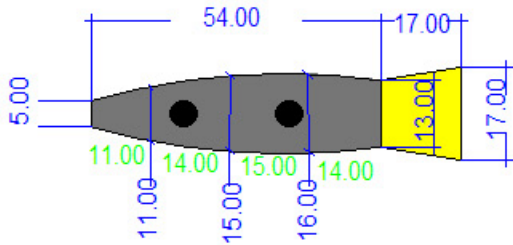
8



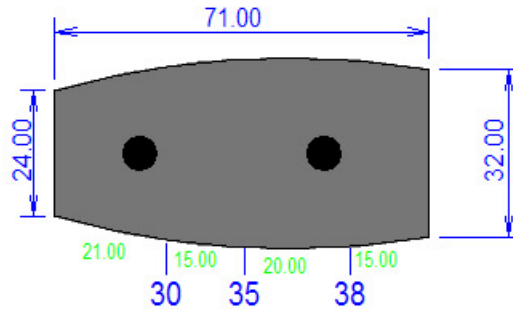
5



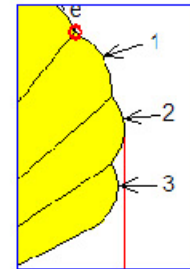
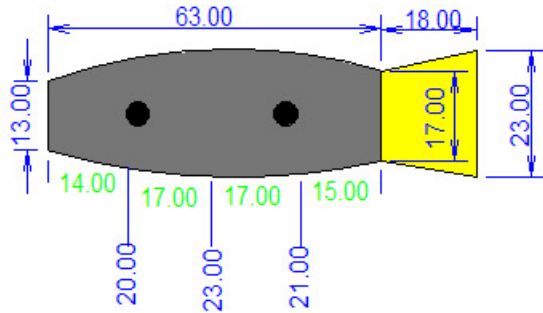
7



4



6

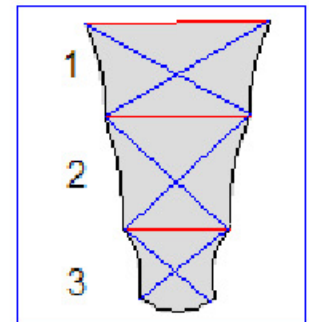


you need every piece two times

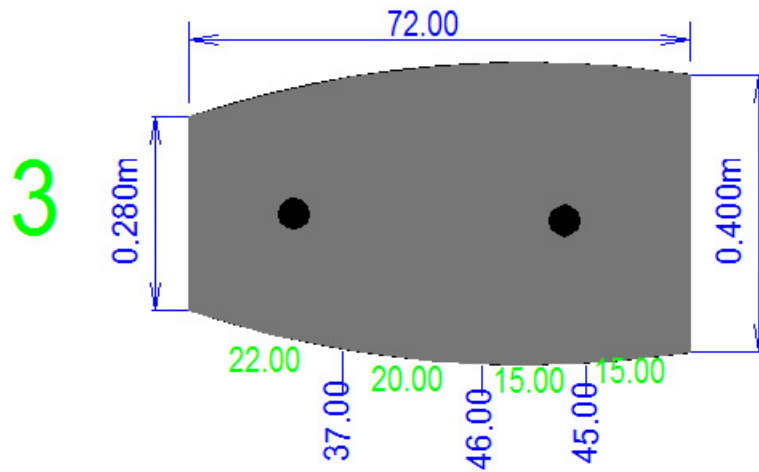
black circles (ventilation - holes) = 5 cm diameter

with the yellow pieces you can close the left and right sections of the mussel !

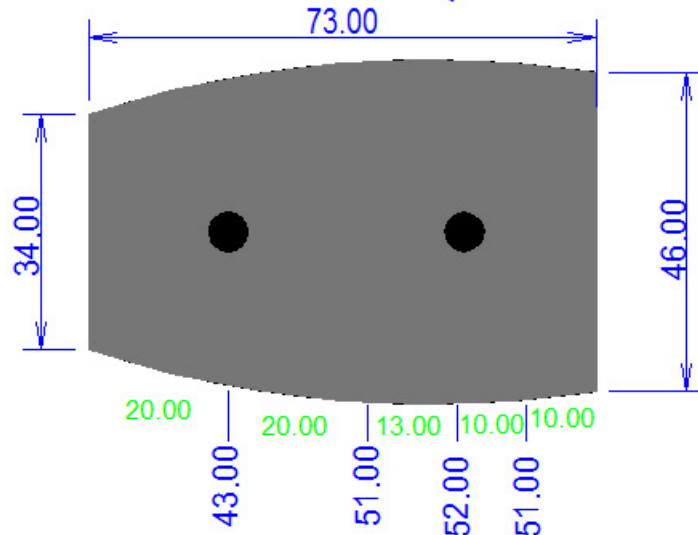
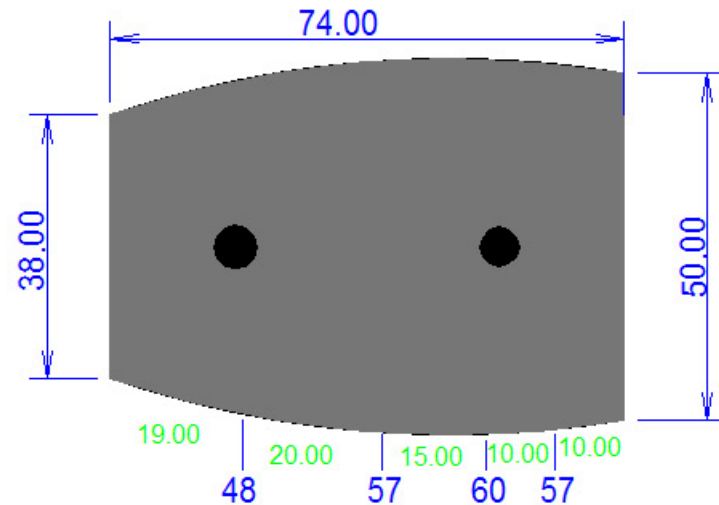
Look at the sketch please .



cross - sections 1 / 2 and 3



1 * 1



piece 2 and 3 you need two times
piece 1 you need one time , it is the middle of the body