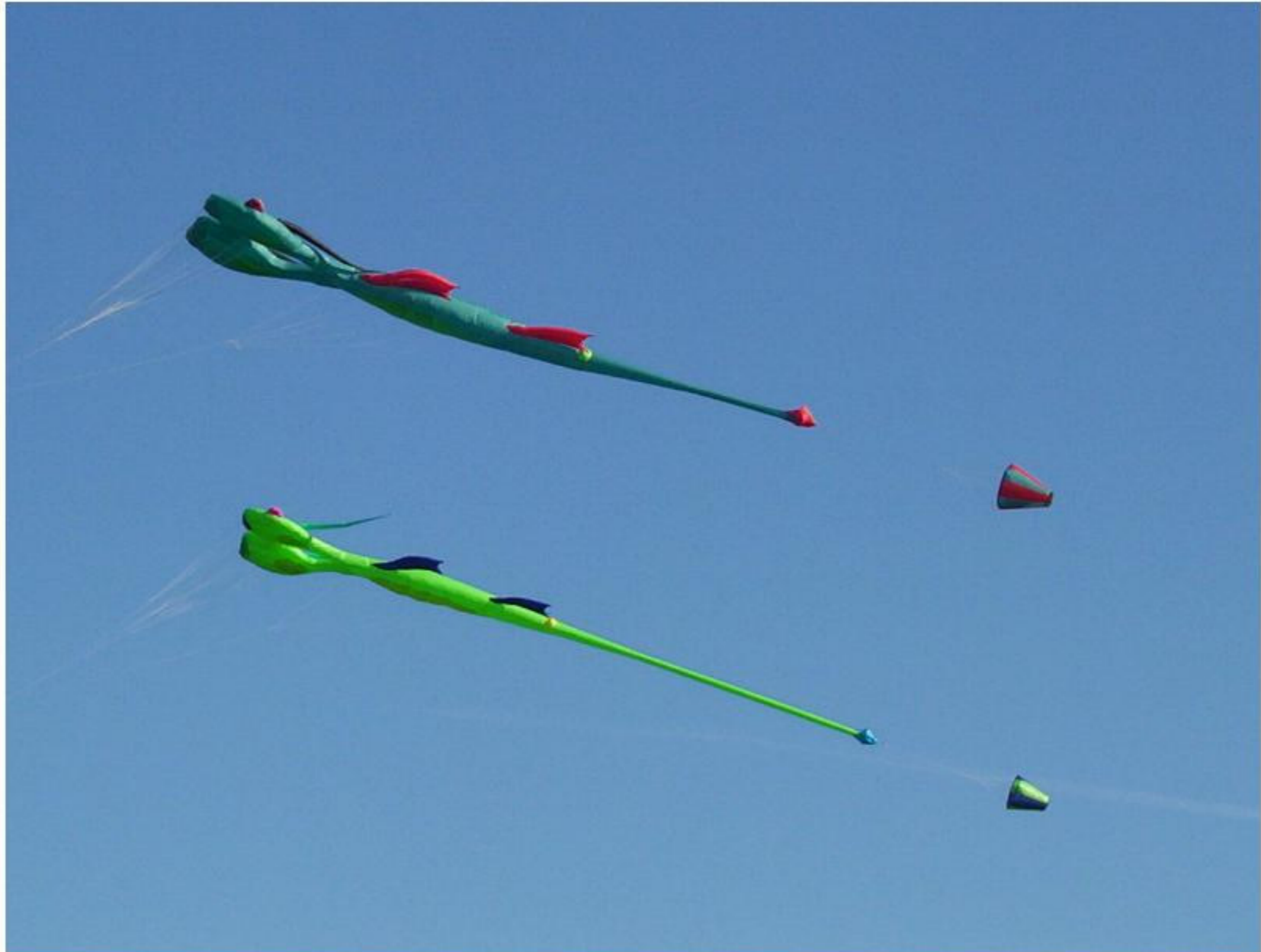


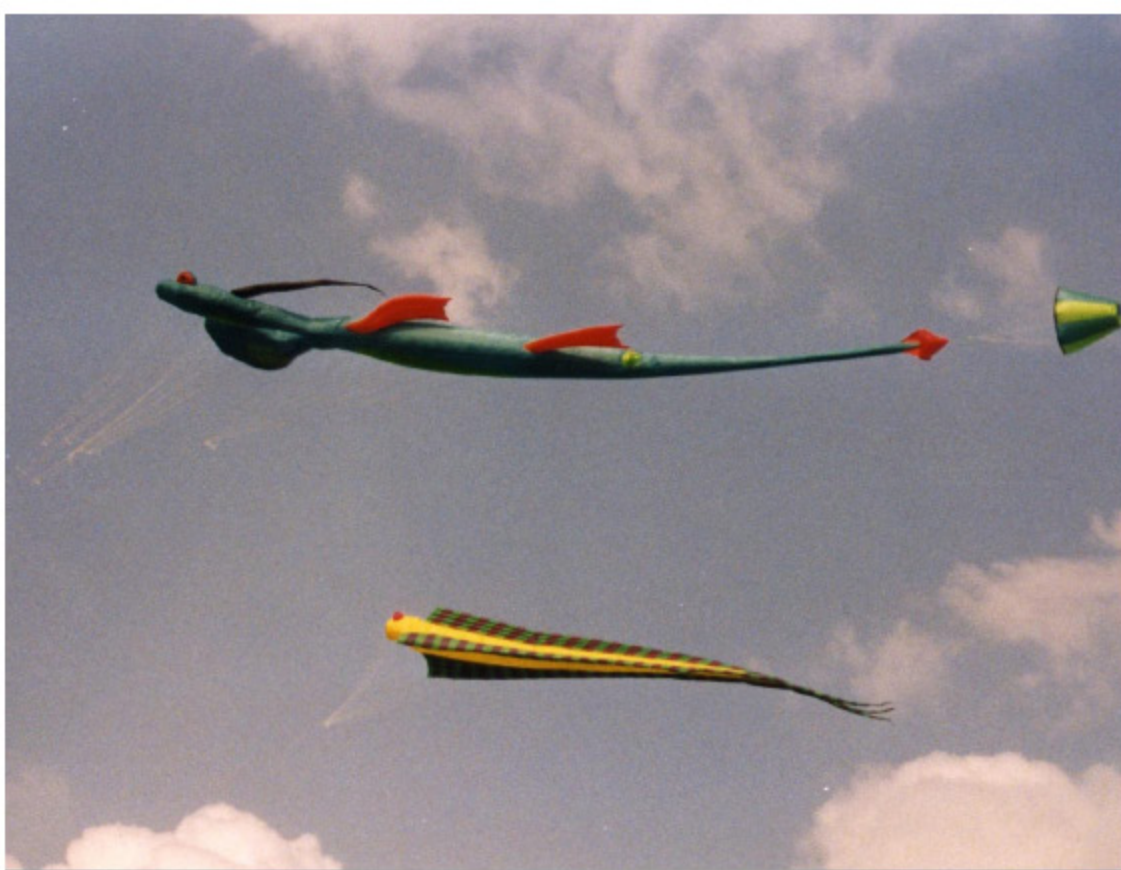
Double-head kite

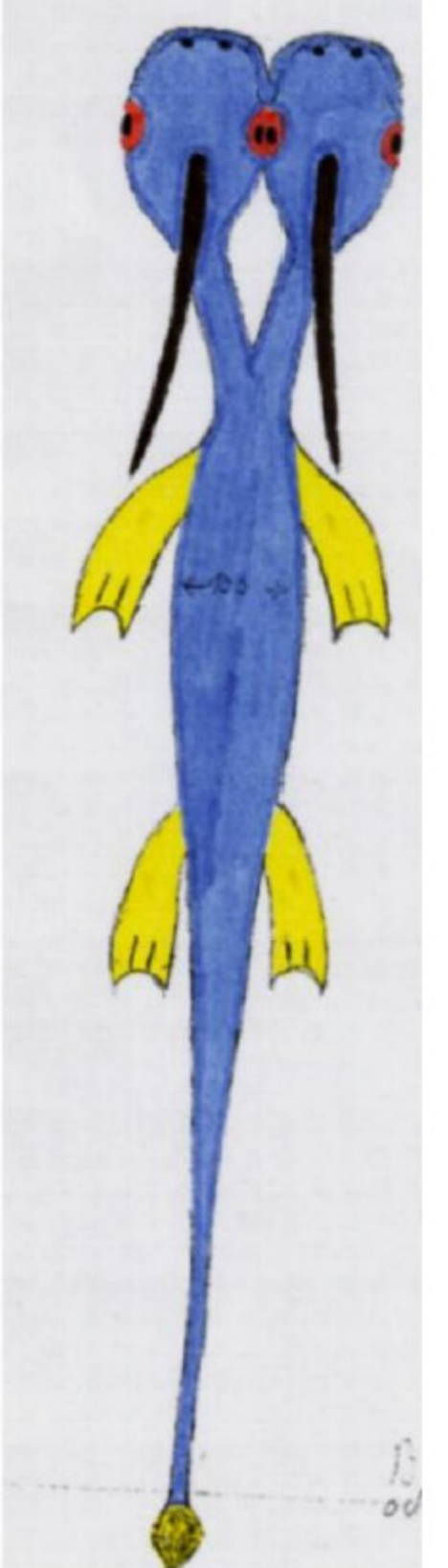
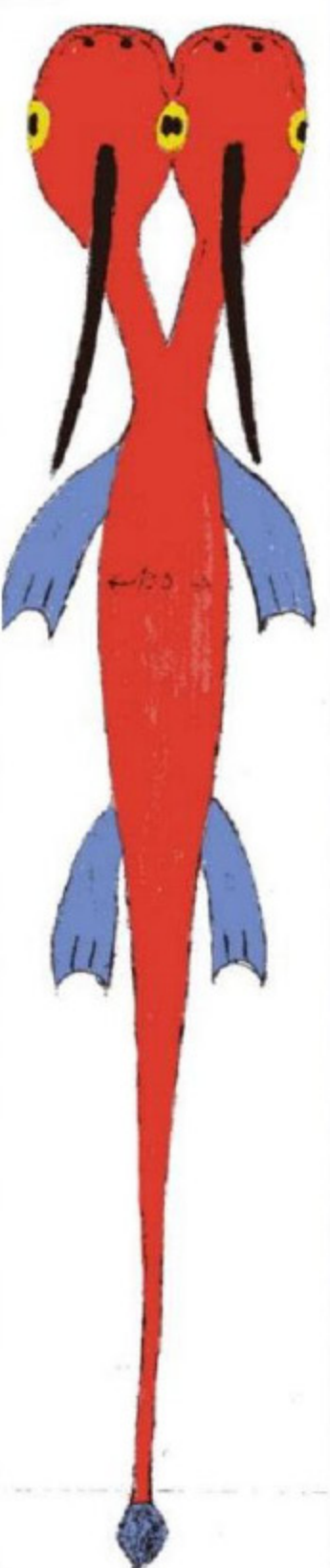
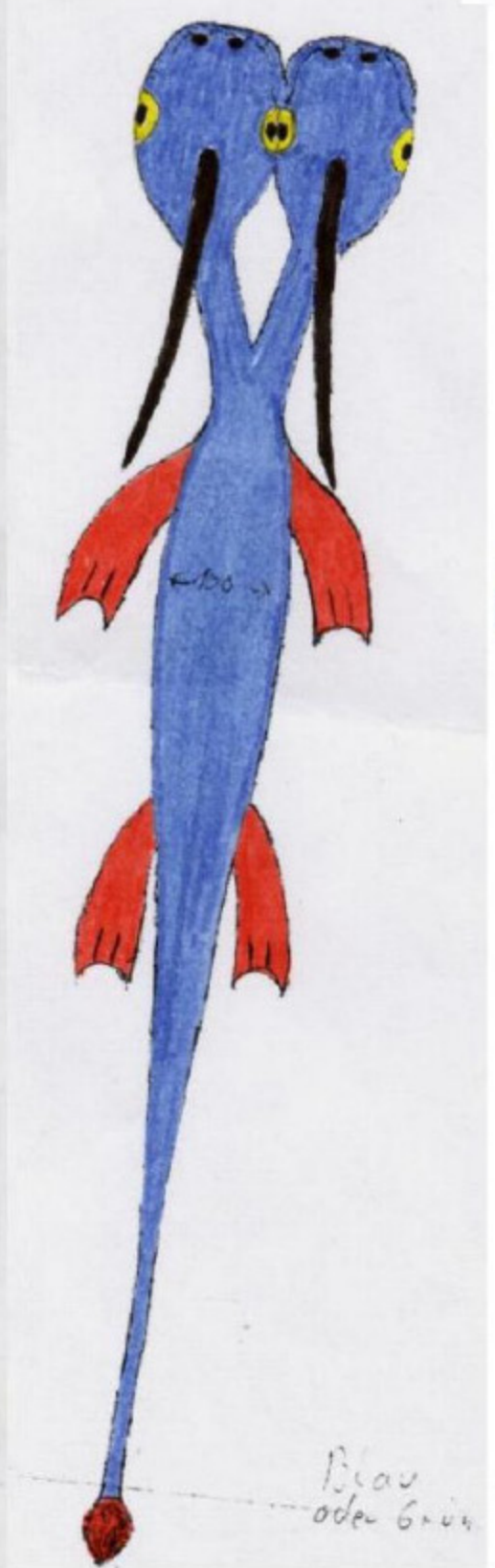
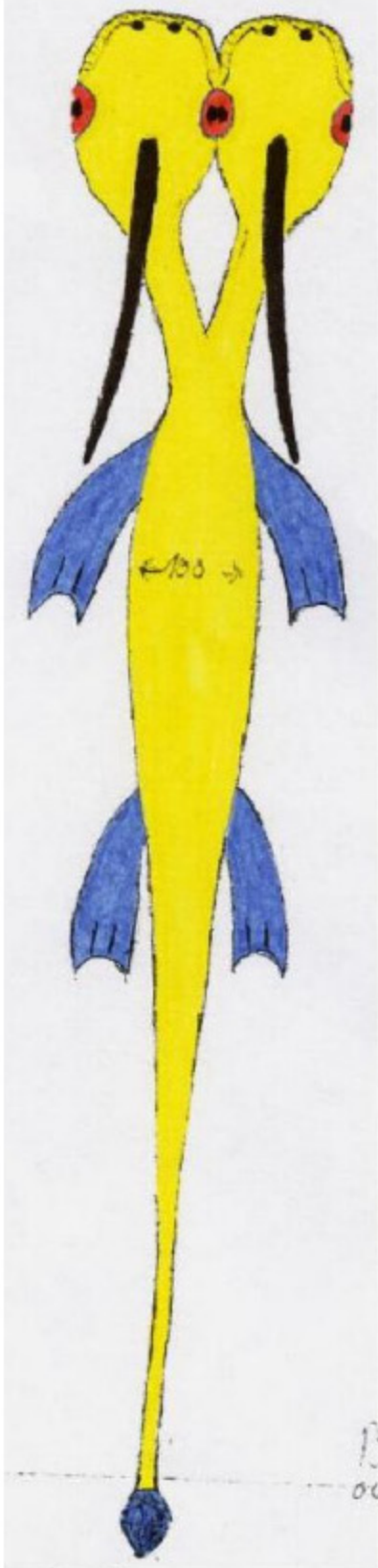
copyright by Joachim Nellißen
only for private use

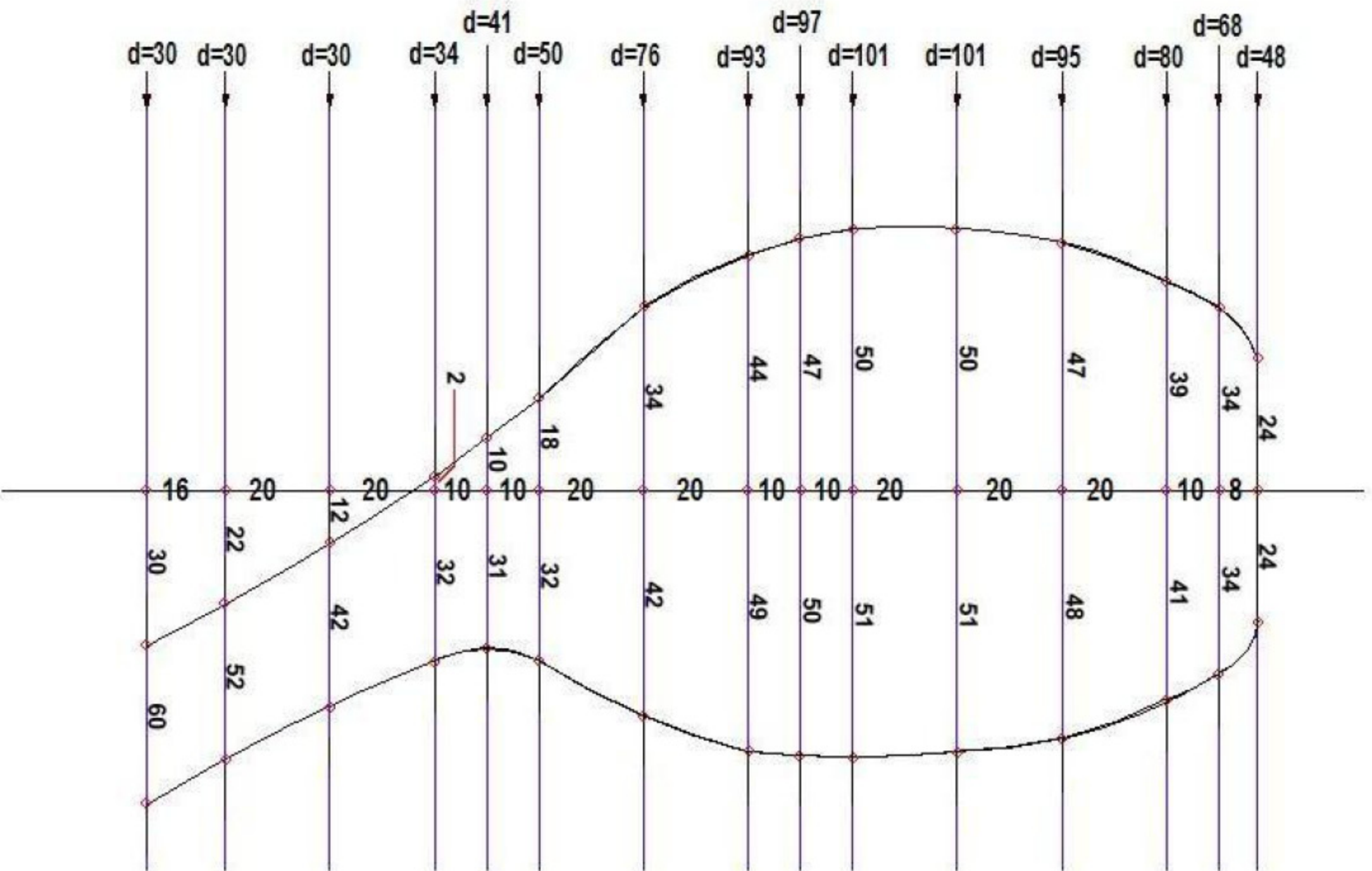
all length in this plan are without seam-addition

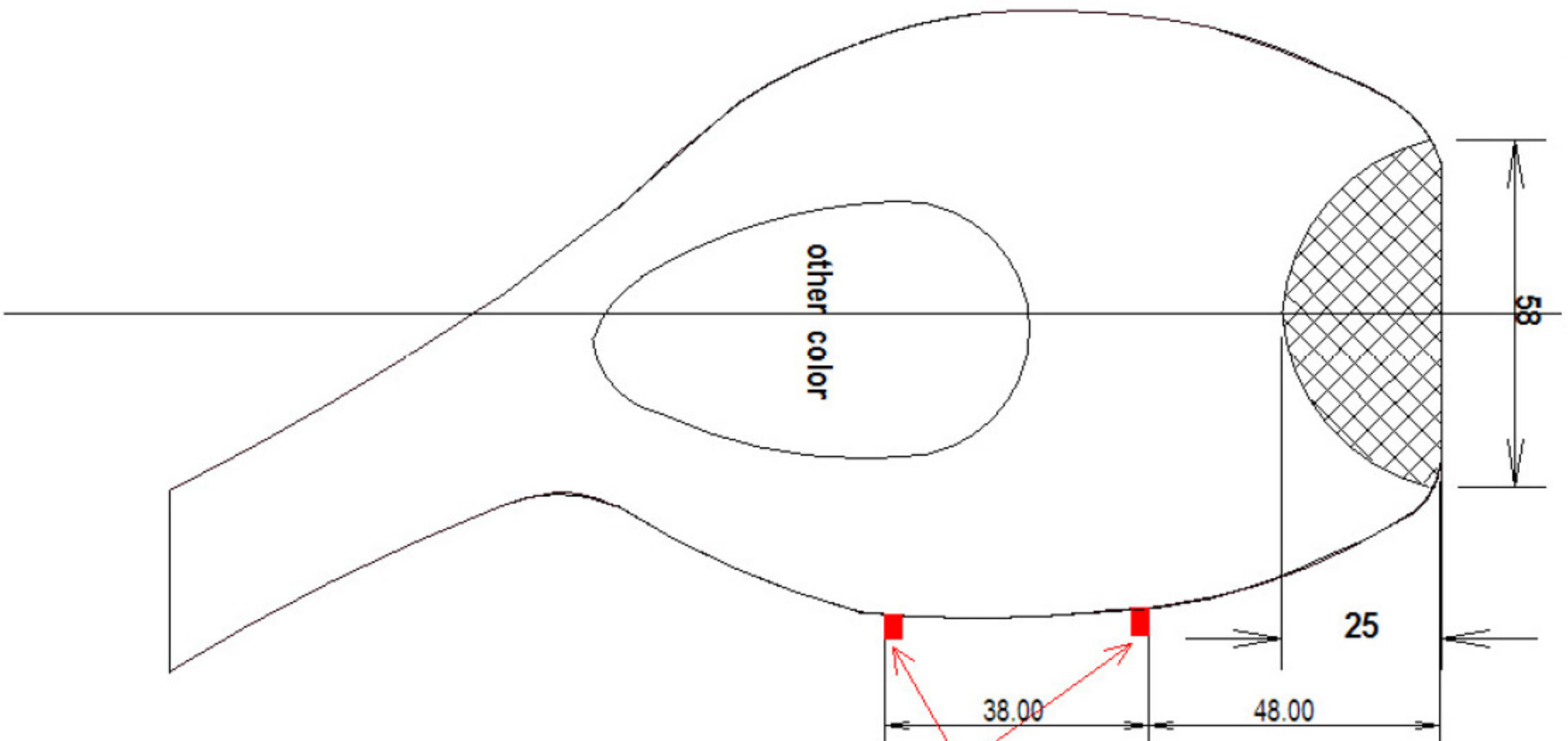
the plan has got 27 pages
you need ca. 50 m² rip-stop
the kite needs a wind-bag



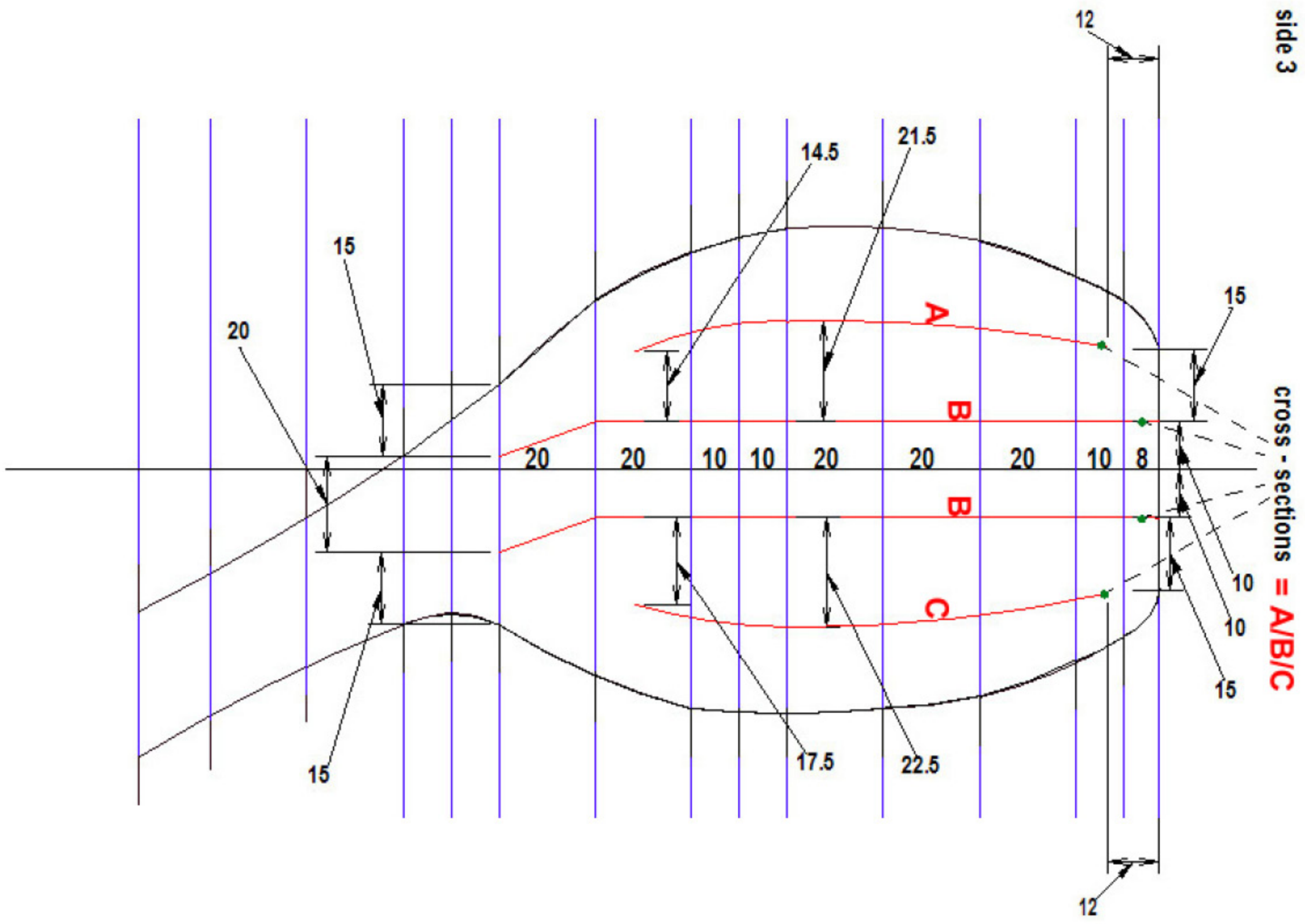


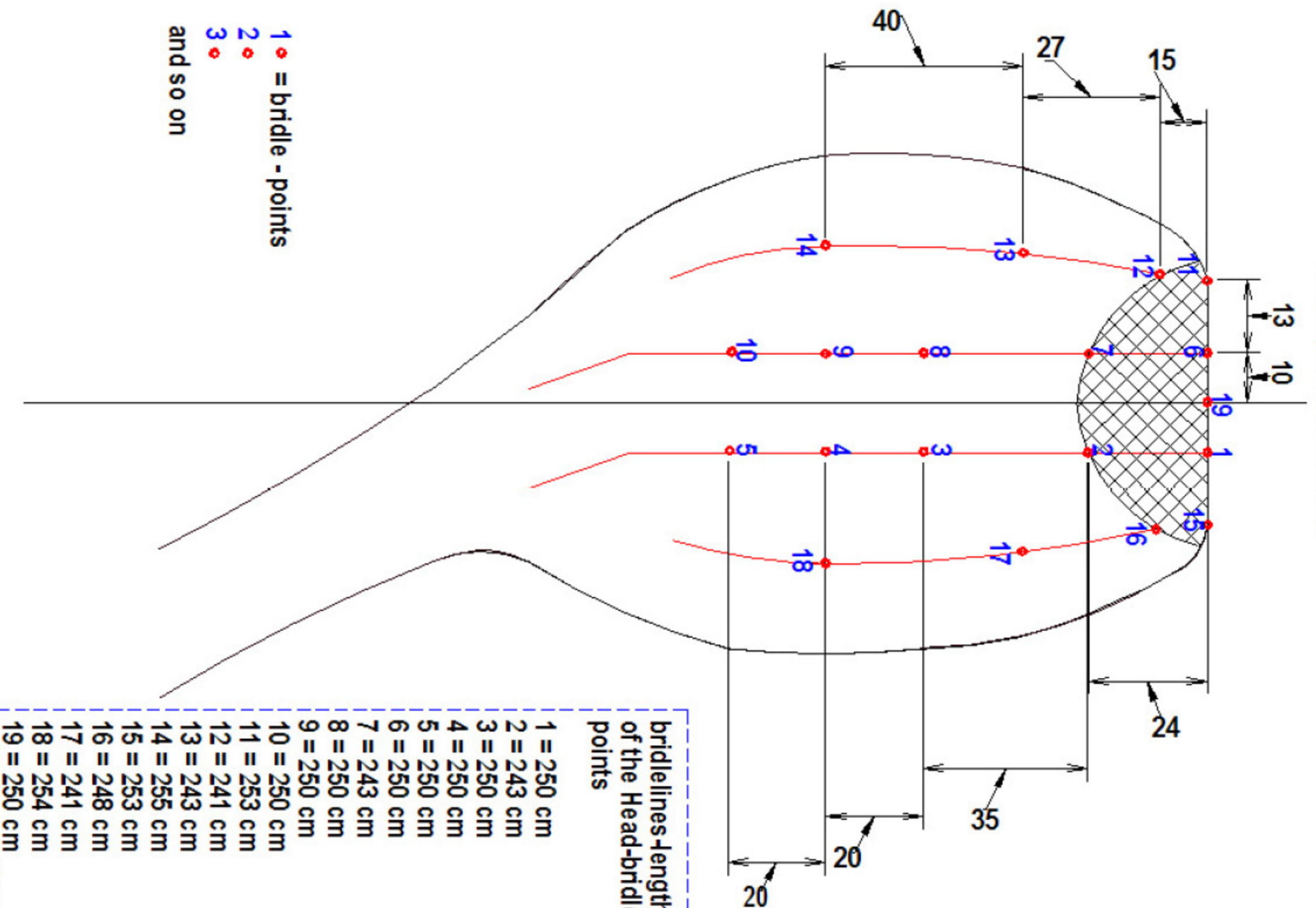




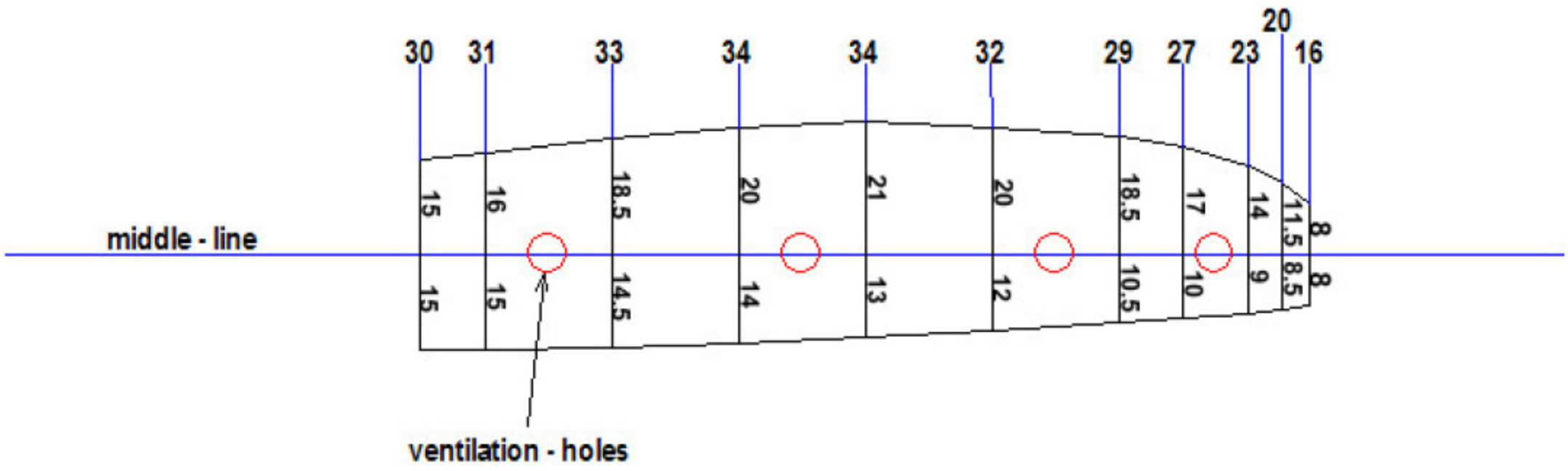
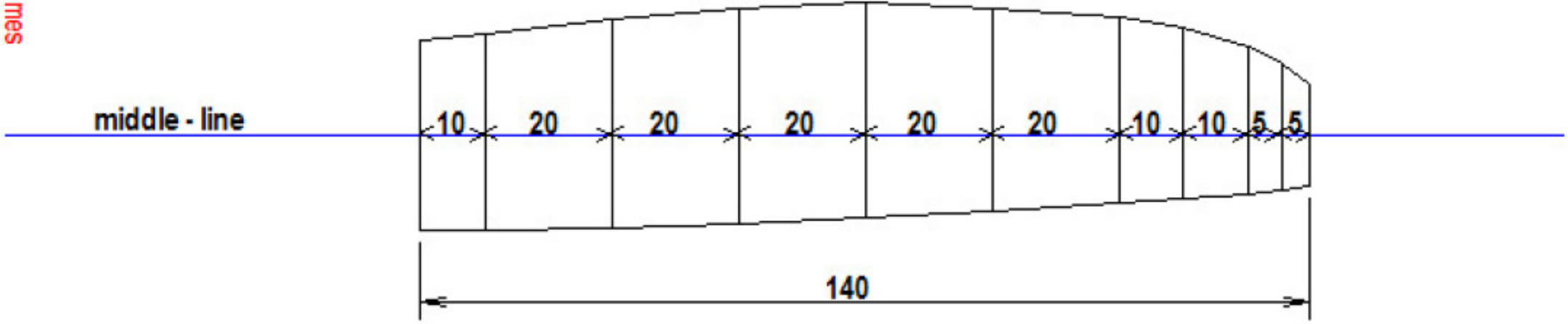


here you must sew two ripstop - flaps
at the flaps you can connect the two heads
with a string.



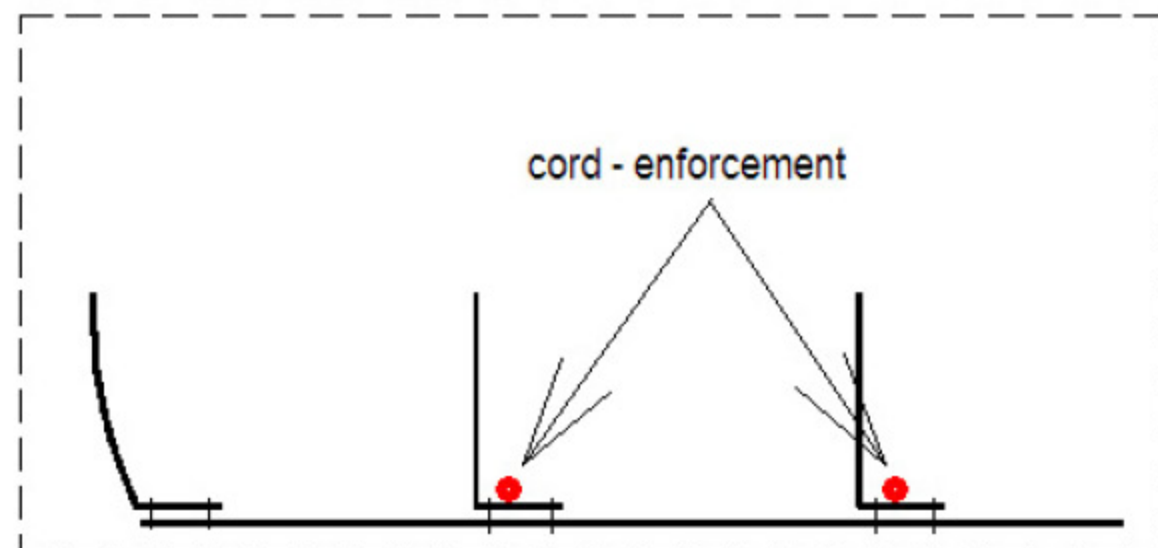
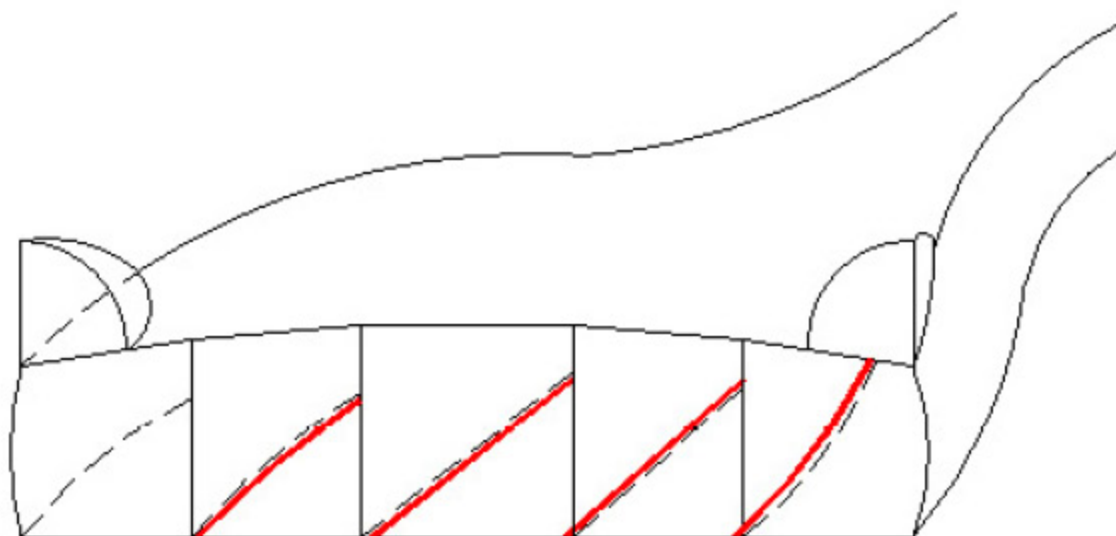


cut it four times

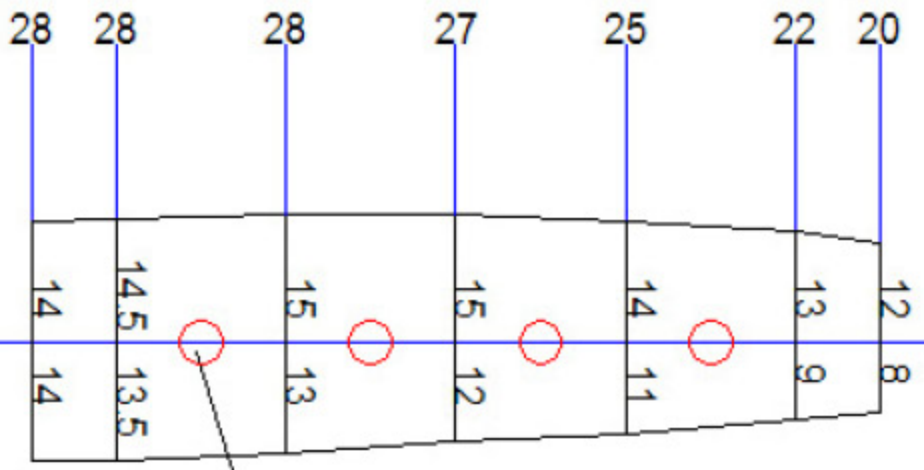
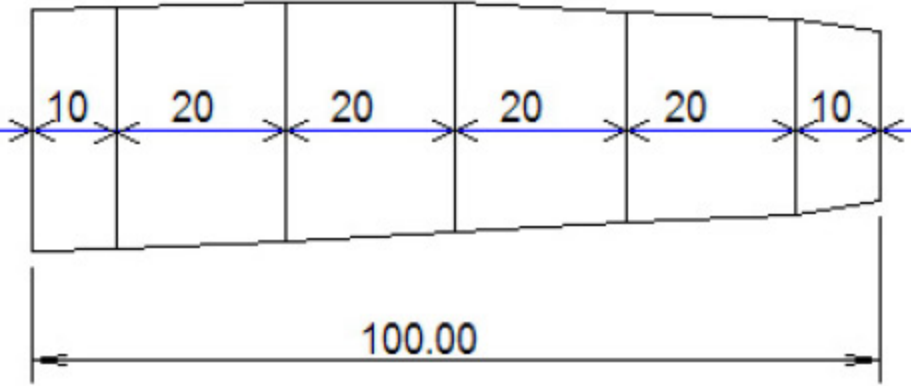


Cut of the head

When you sew the cross - sections to the bottem - side of the head
don't forget the cord - enforcement for the bridle of the head.



head cross - section A and C



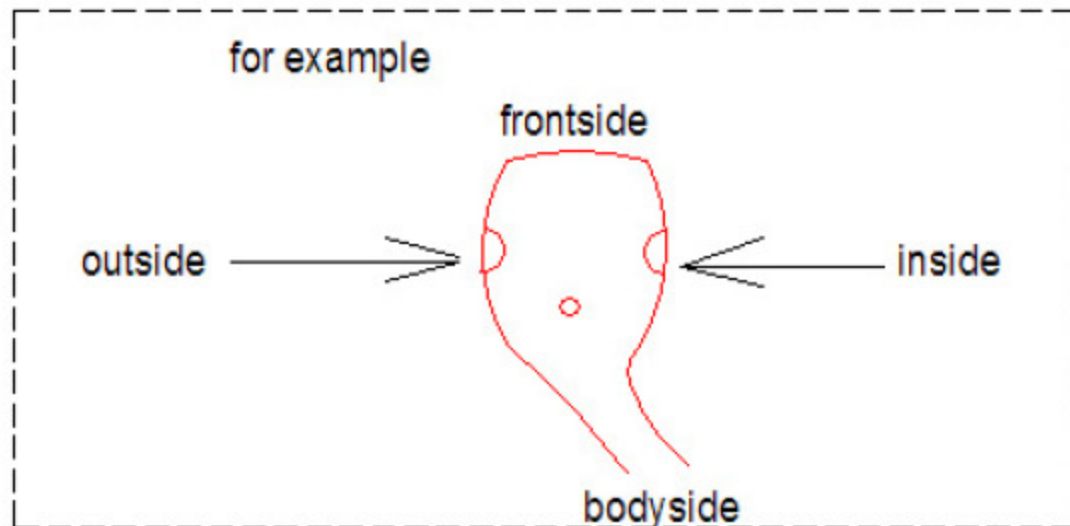
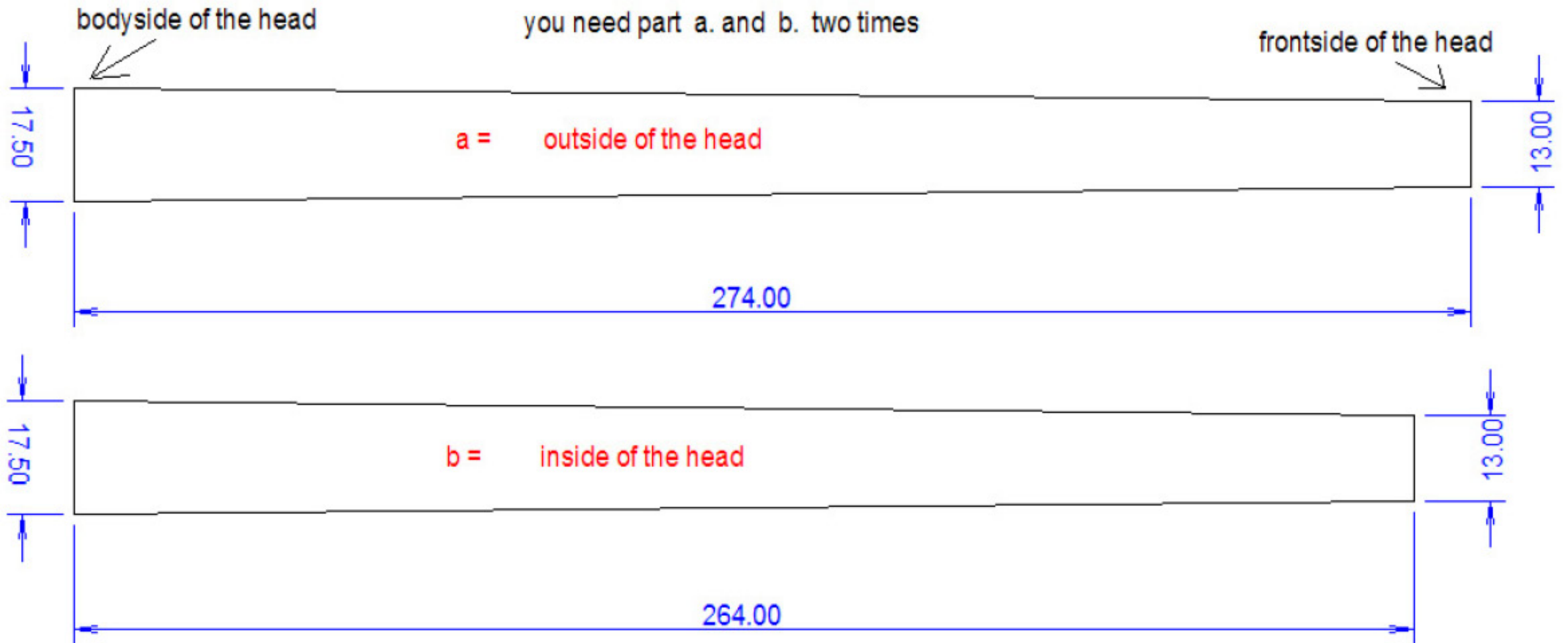
the diameter of the ventilation - holes is 6 cm

cut it four times

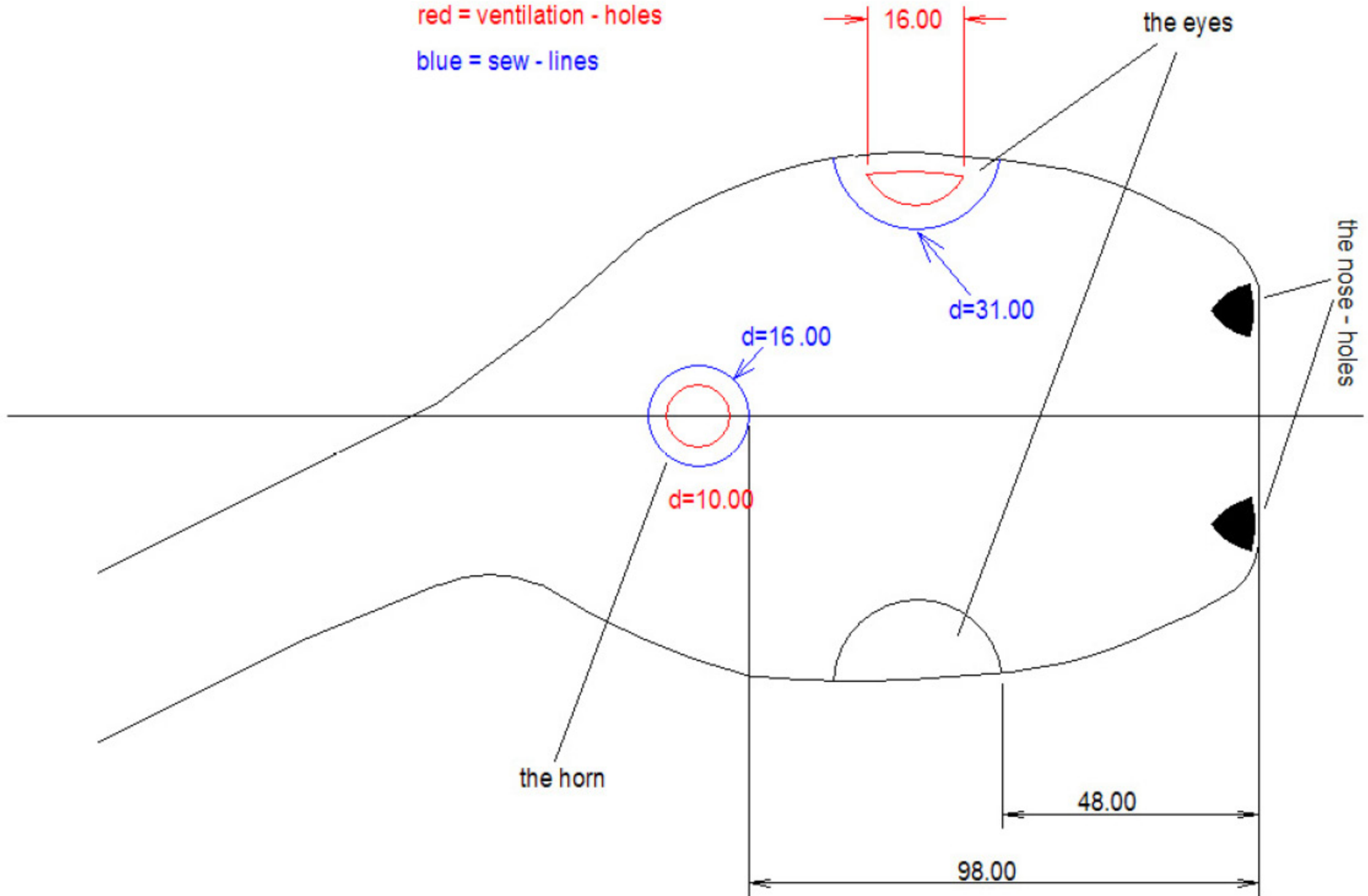
all length in (cm) without seam - addition

the left and right parts of the head

you need part a. and b. two times



red = ventilation - holes
blue = sew - lines



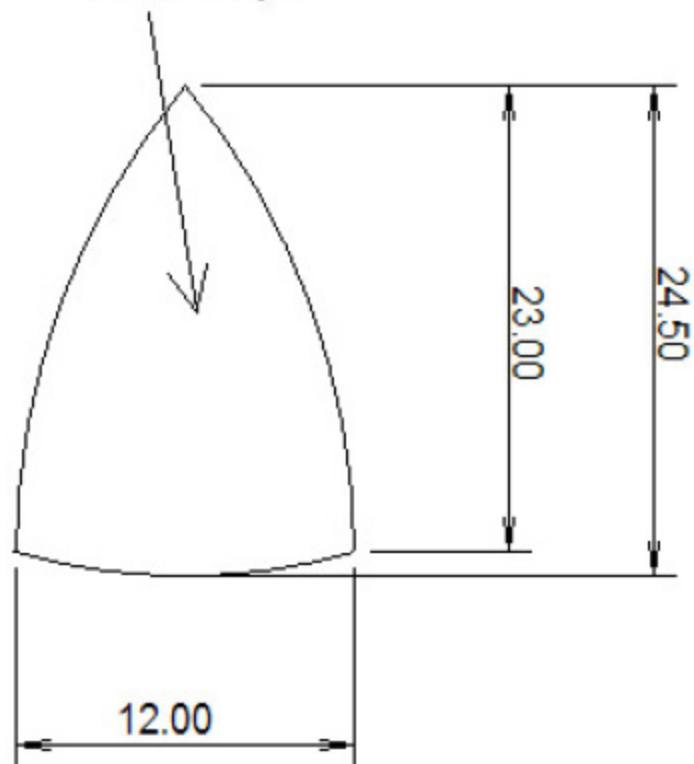
all length without seam - addition

all length without seam - addition

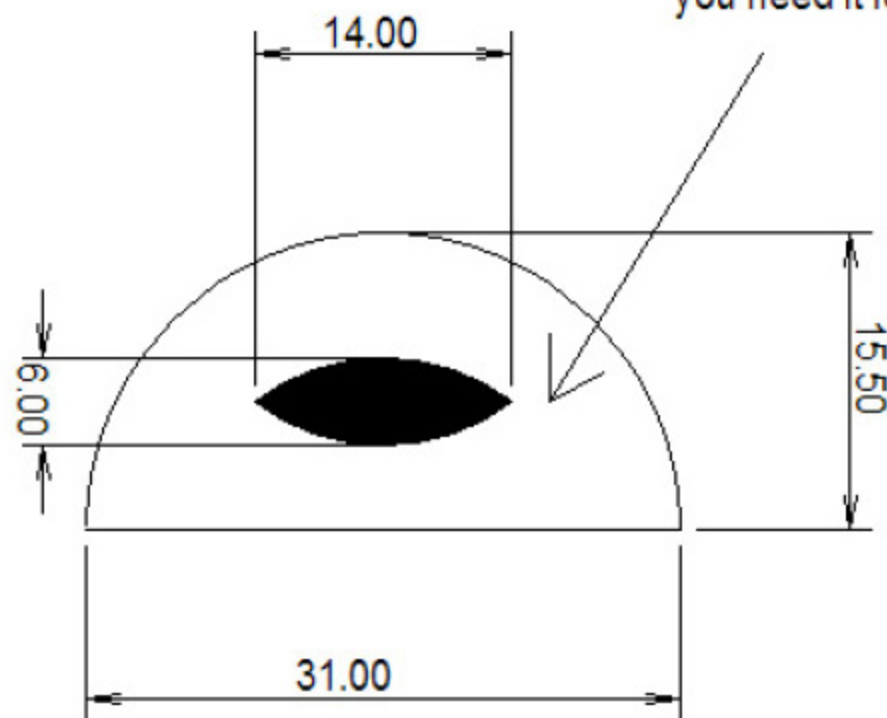
the eyes and the noseholes

side 6b

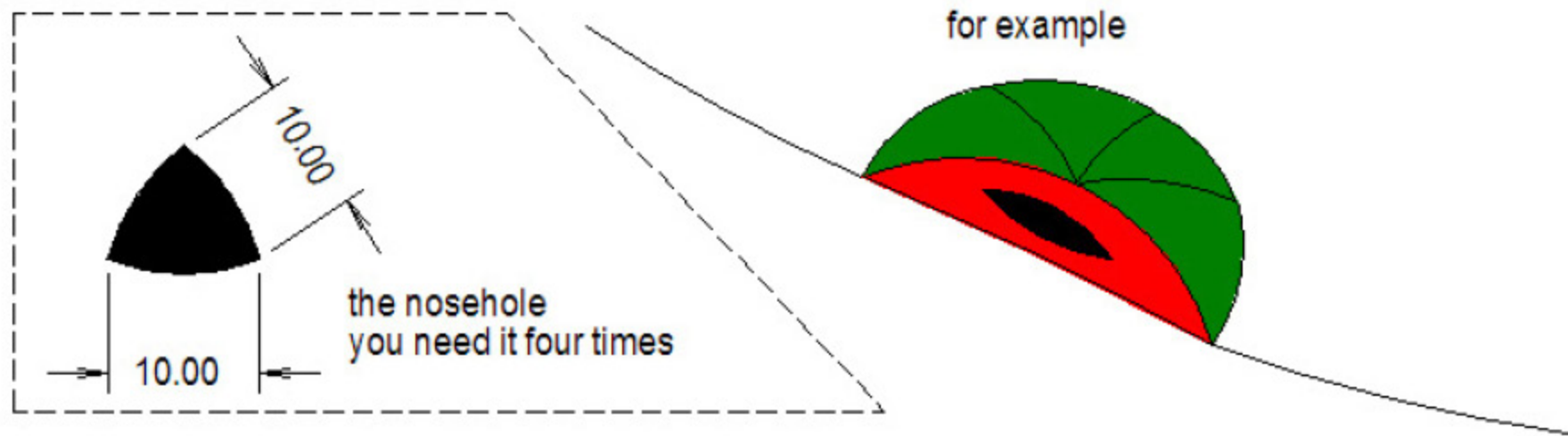
you need it four times
for each eye



you need it four times



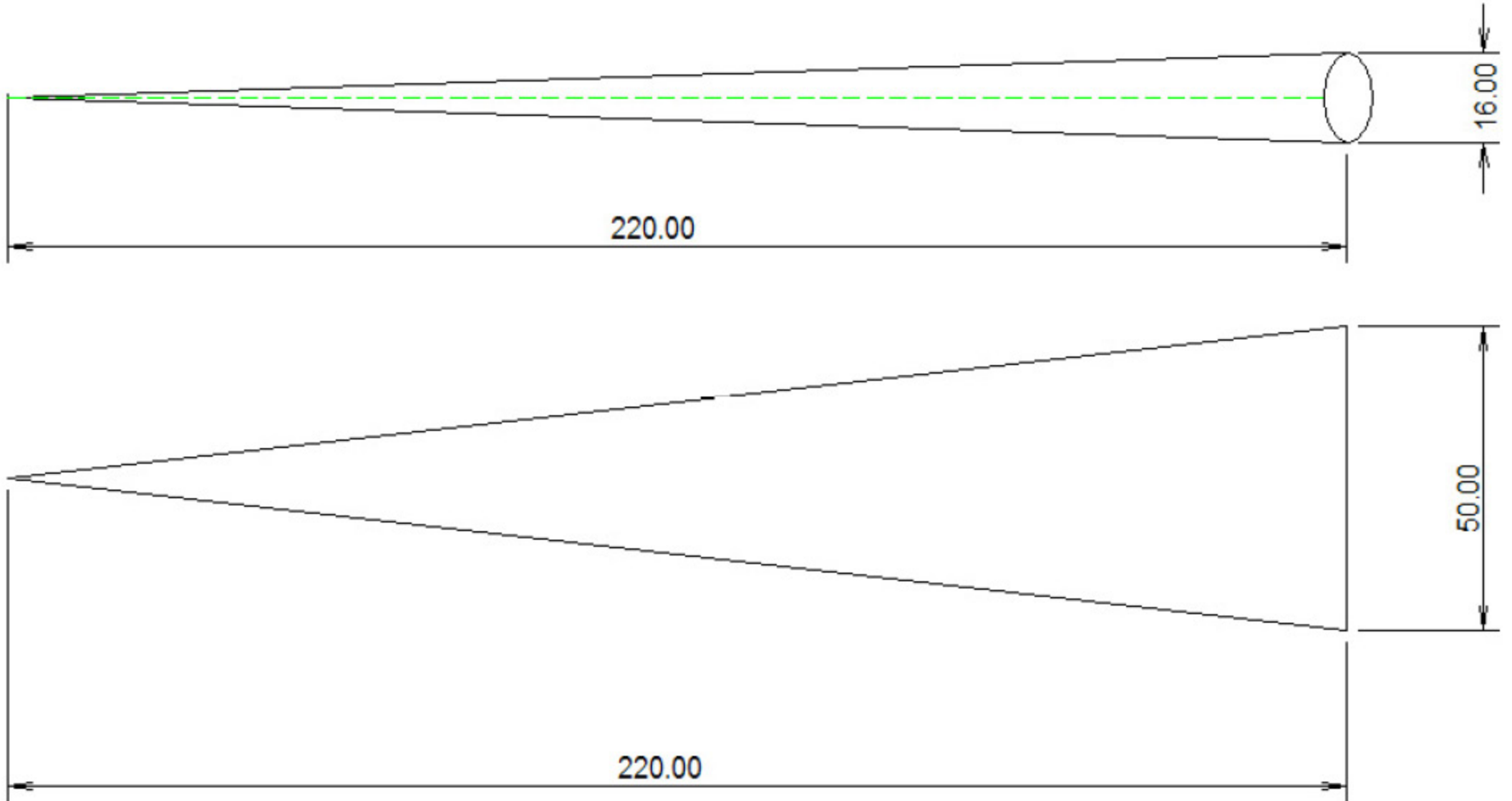
for example



the horns

you need it two times

green = sew - line



all length in (cm) without seam - addition

length of the Head-bridle

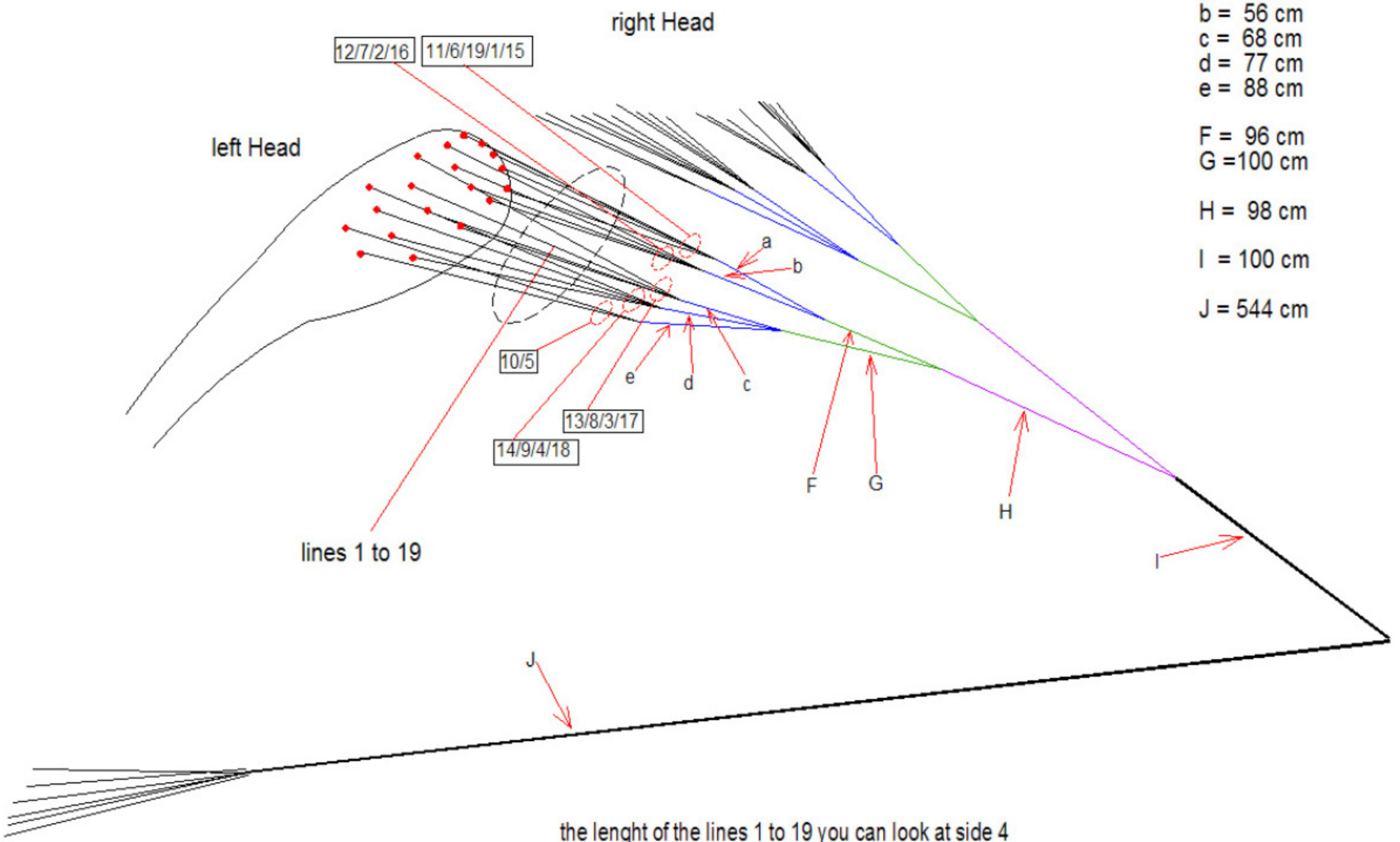
side 7

- a = 52 cm
- b = 56 cm
- c = 68 cm
- d = 77 cm
- e = 88 cm

- F = 96 cm
- G = 100 cm

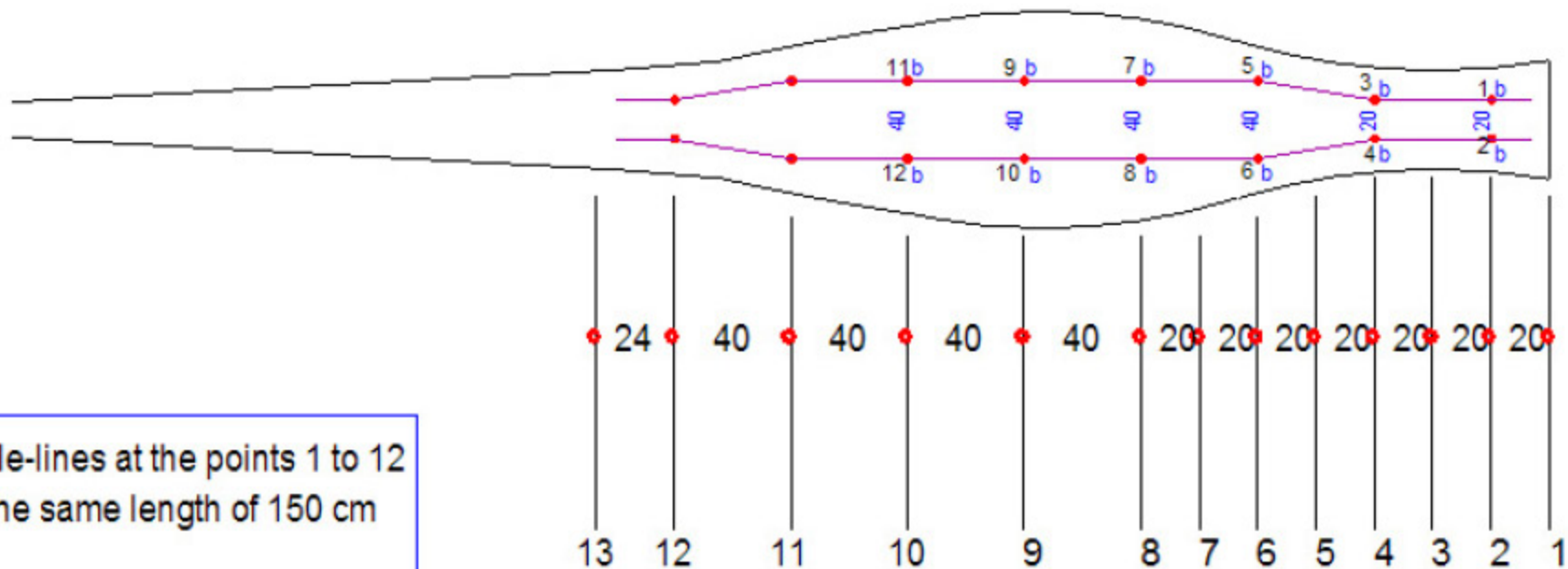
- H = 98 cm
- I = 100 cm

- J = 544 cm

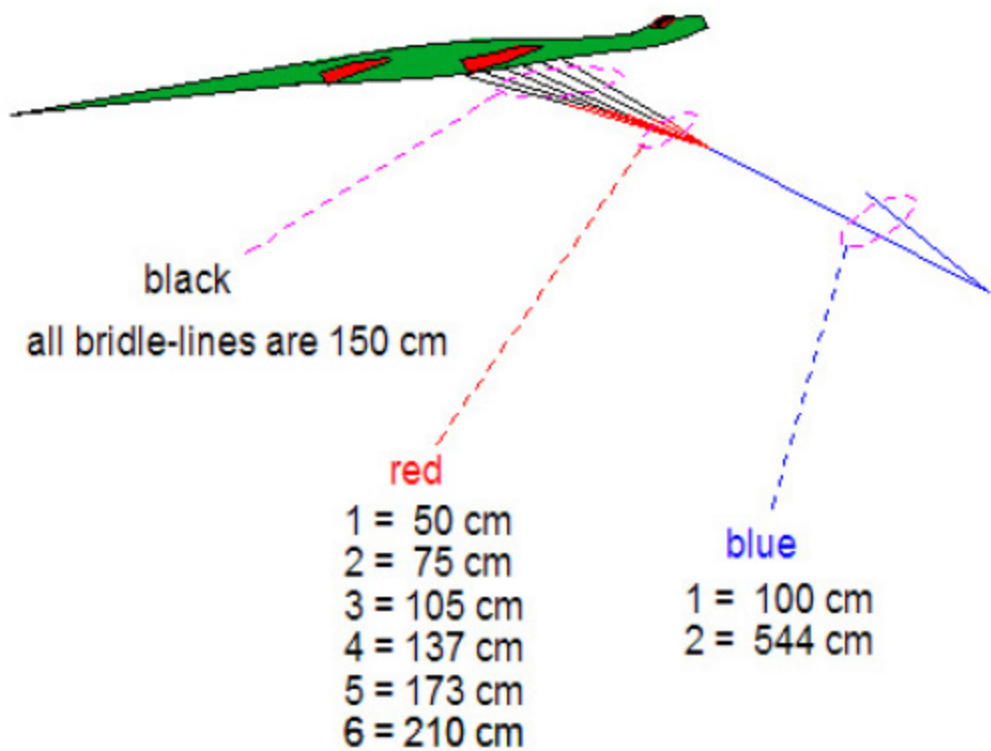


lines 1 to 19

the length of the lines 1 to 19 you can look at side 4

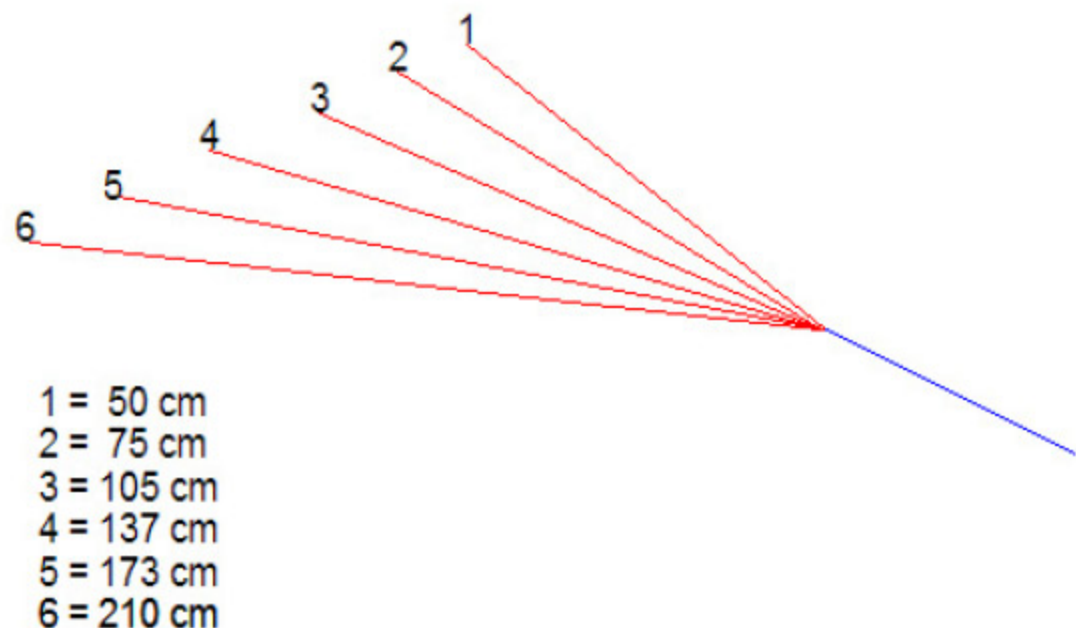


the bridle-lines at the points 1 to 12 are all the same length of 150 cm



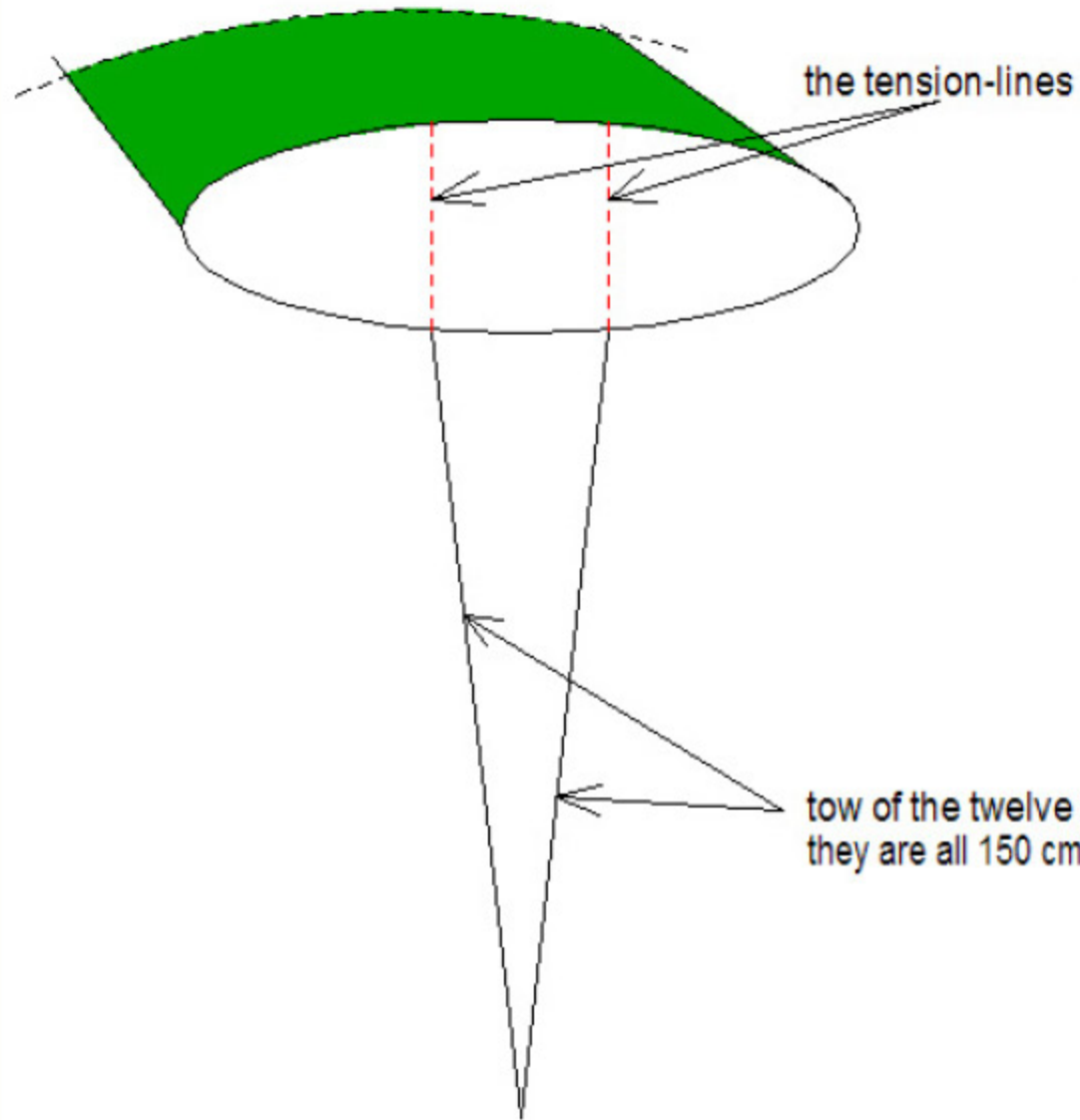
for example

red bridle-lines

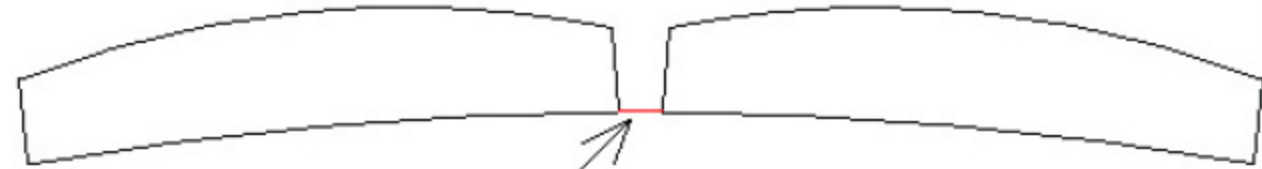


for example

the body with the tension-lines and the first bridle-lines



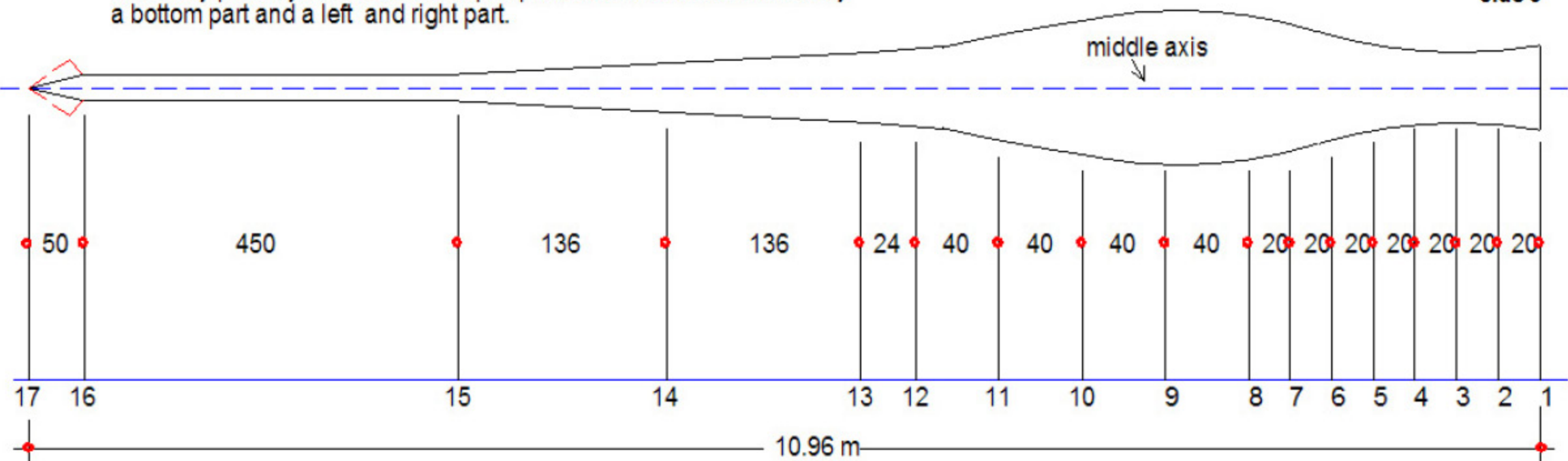
for example the two heads



the two heads are connected by this strings

The body parts , you need three equal parts from this to build the body a bottom part and a left and right part.

side 8

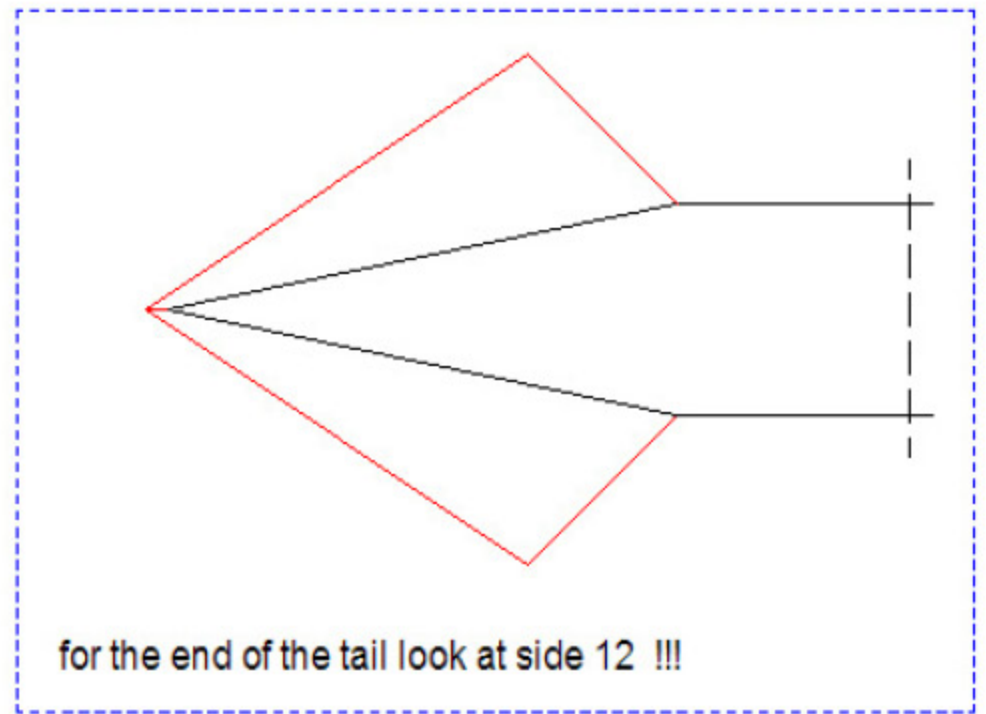


the wide length of the body part

- 1. = 63.5 cm
- 2. = 55.0 cm
- 3. = 47.0 cm
- 4. = 50.0 cm
- 5. = 56.0 cm
- 6. = 62.0 cm
- 7. = 69.0 cm
- 8. = 72.0 cm
- 9. = 72.0 cm
- 10. = 68.0 cm
- 11. = 61.0 cm
- 12. = 53.0 cm
- 13. = 47.0 cm
- 14. = 27.0 cm
- 15. = 15.0 cm
- 16. = 12.0 cm
- 17. = 00.0 cm

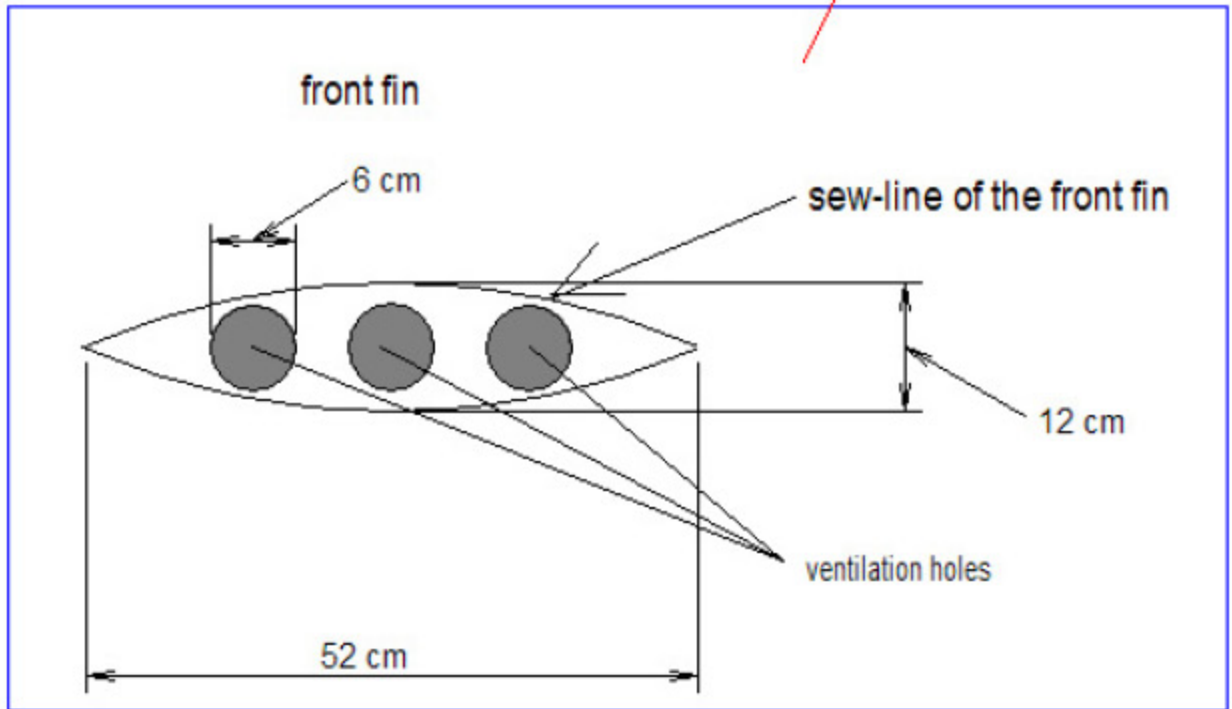
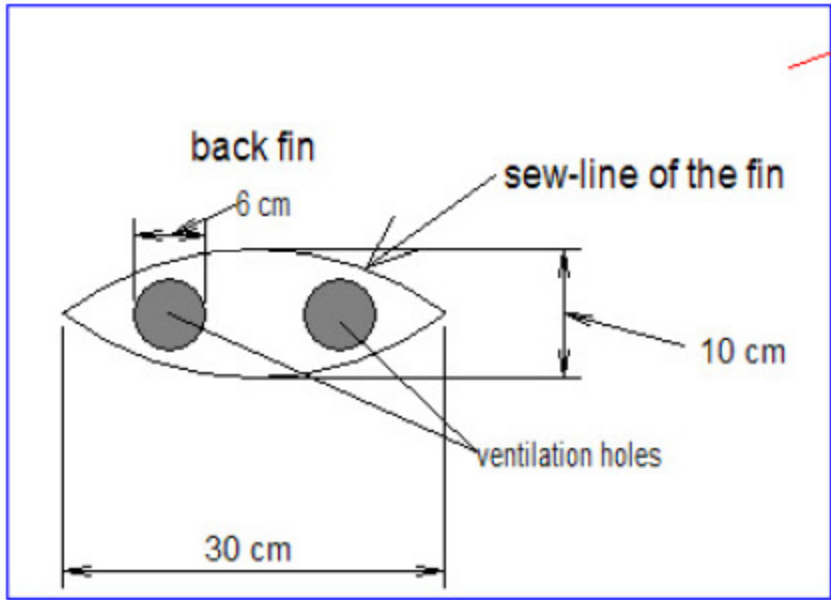
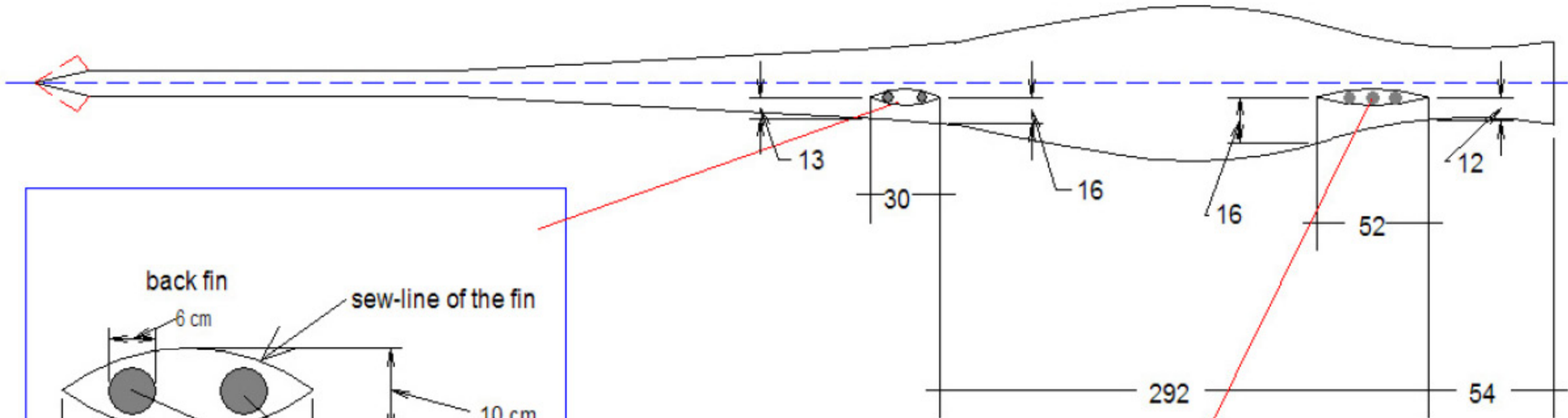
the wide length left and right from the middle axis

- 1. = 31.75 cm
- 2. = 27.5 cm
- 3. = 23.5 cm
- 4. = 25.0 cm
- 5. = 28.0 cm
- 6. = 31.0 cm
- 7. = 34.5 cm
- 8. = 36.0 cm
- 9. = 36.0 cm
- 10. = 34.0 cm
- 11. = 30.5 cm
- 12. = 26.5 cm
- 13. = 23.5 cm
- 14. = 13.5 cm
- 15. = 7.5 cm
- 16. = 6.0 cm
- 17. = 0.0 cm

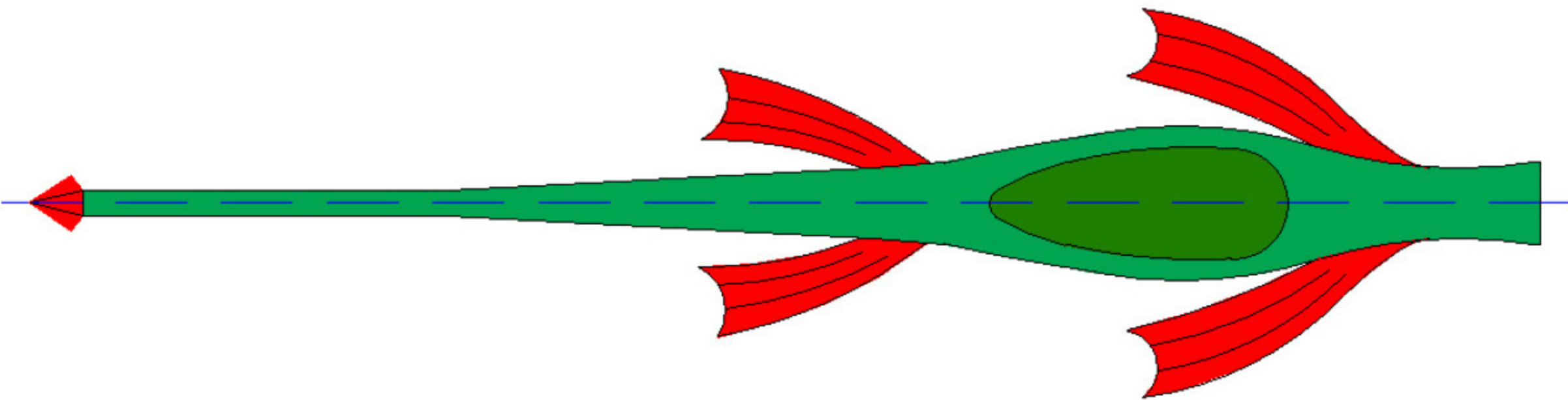


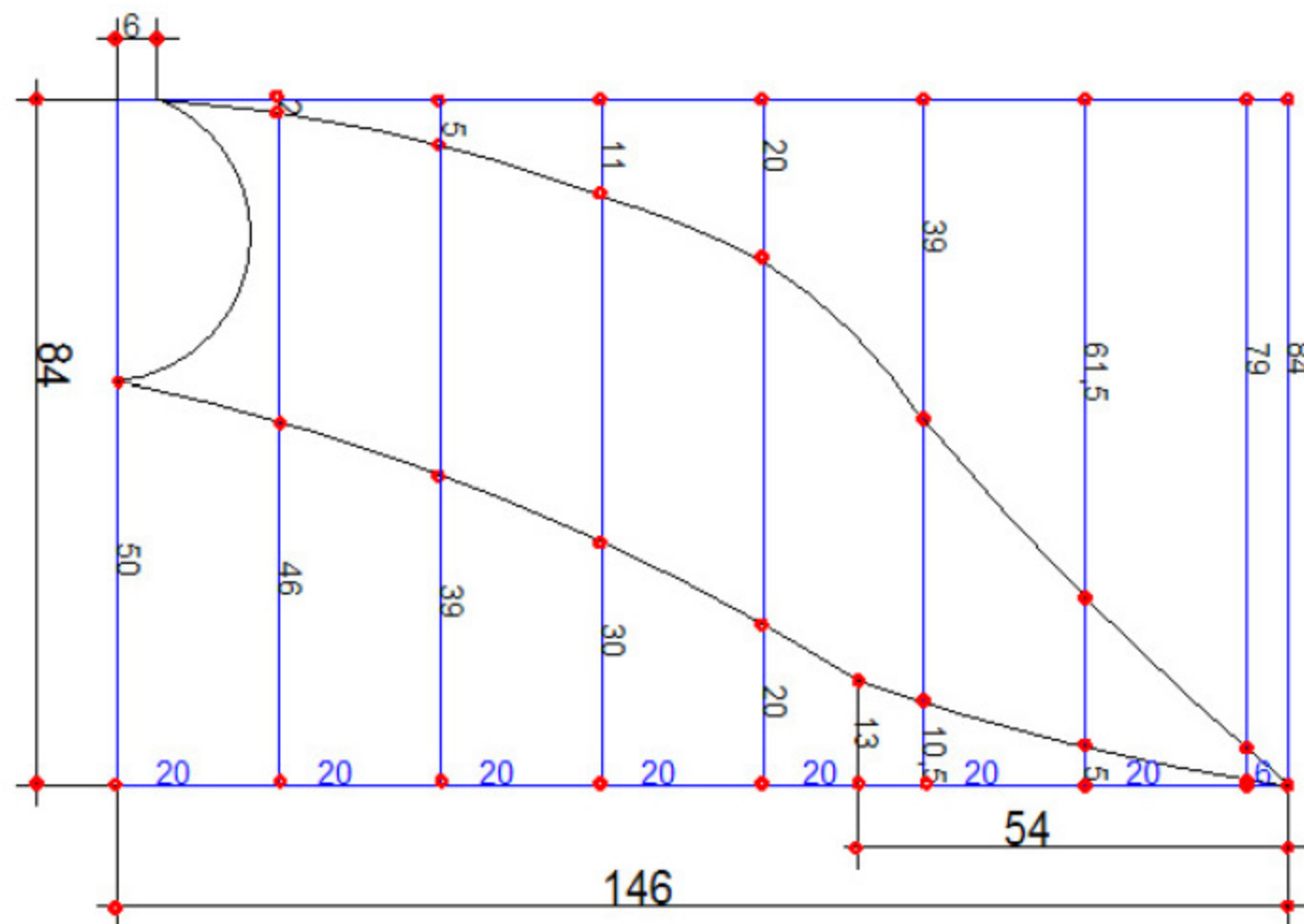
all length without seam addition !

The position of the fins at the right body part
all length in cm without seam addition



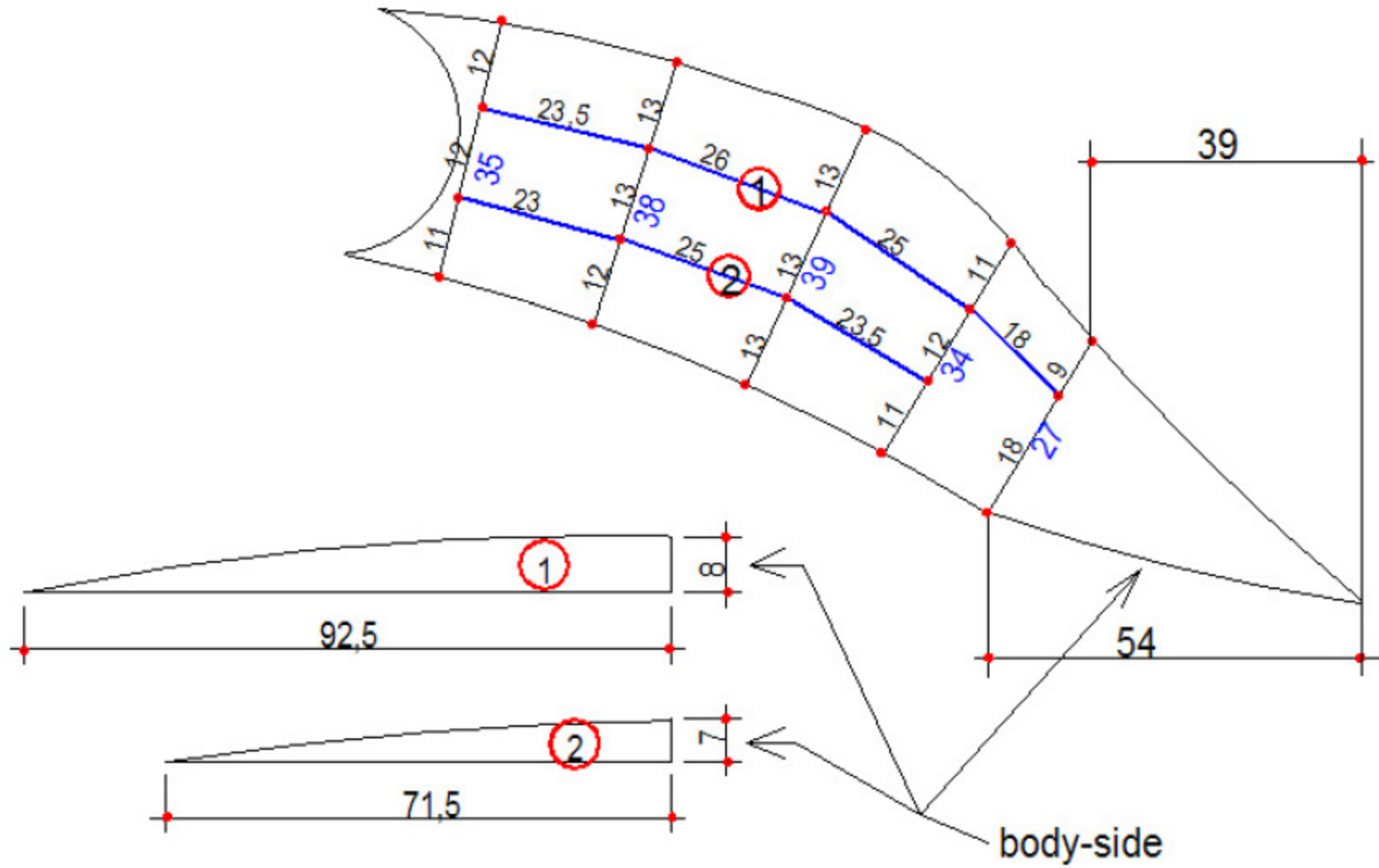
The body bottem side
for example

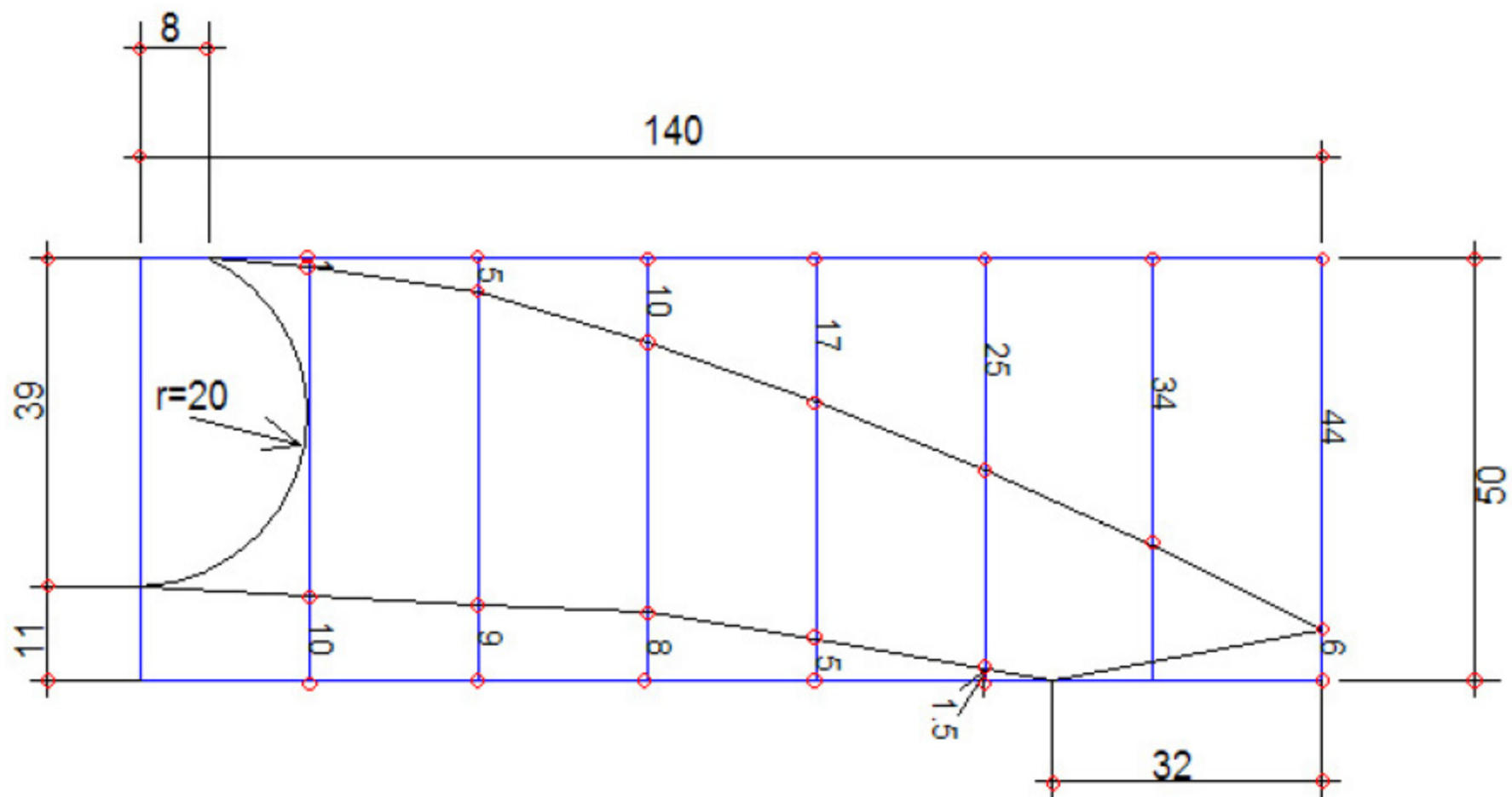




you need four pieces for the two front-fins, two for the bottom-side and two for the upper-side

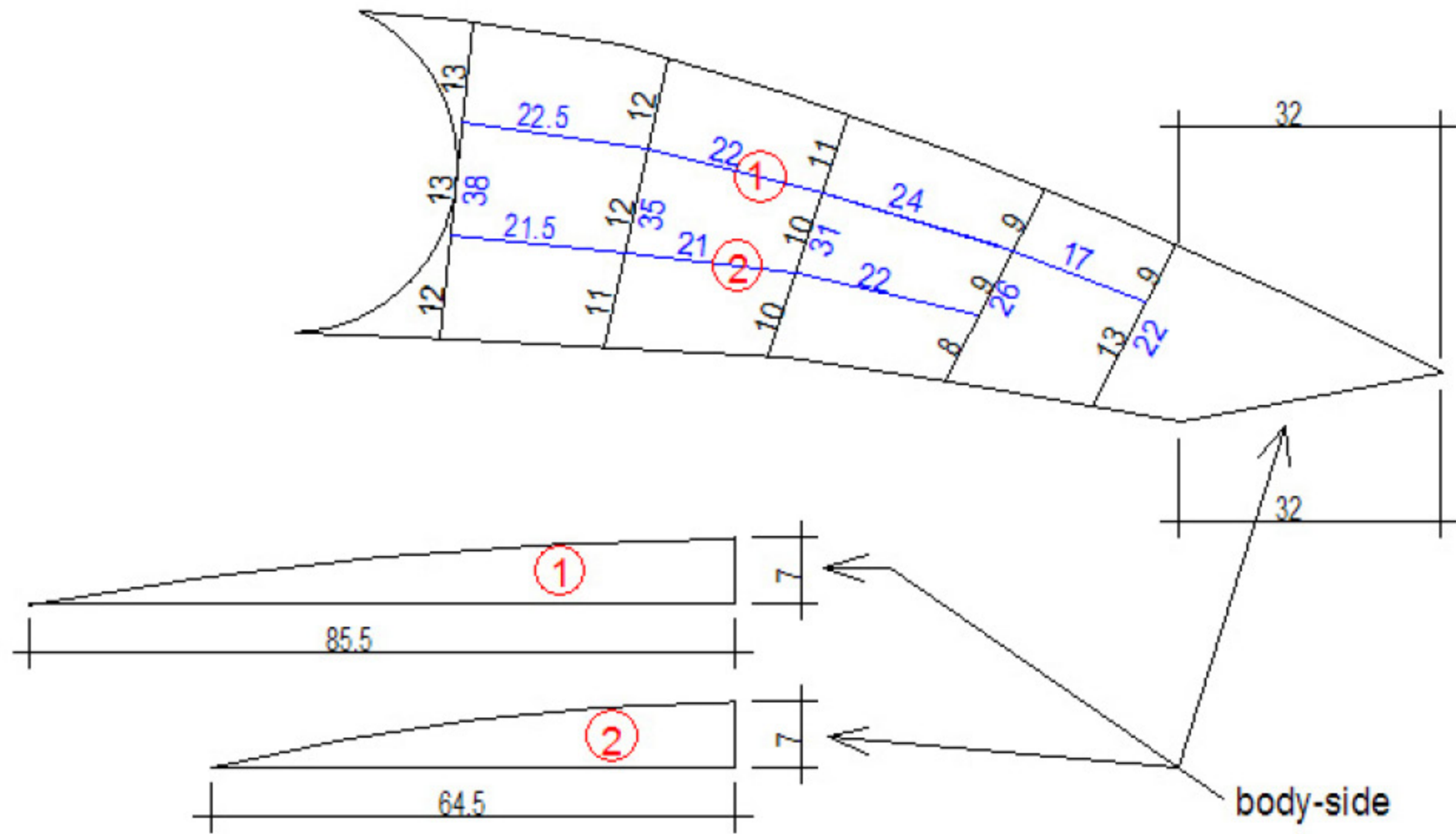
the position of the cross-sections of the front-fin

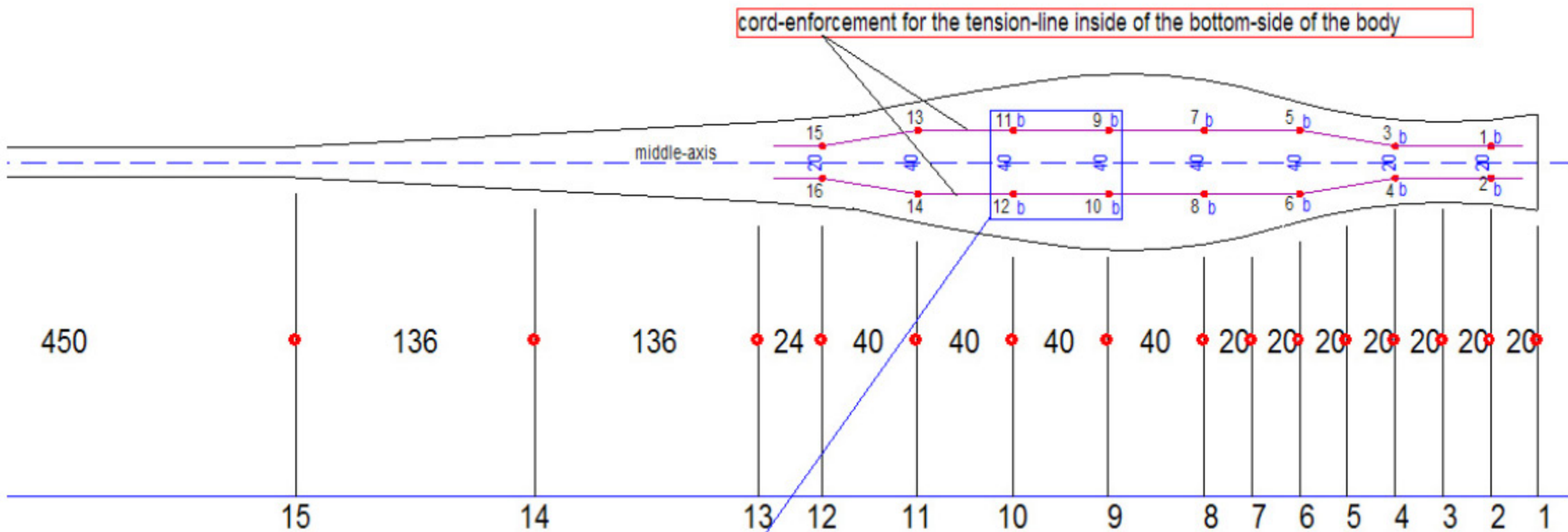




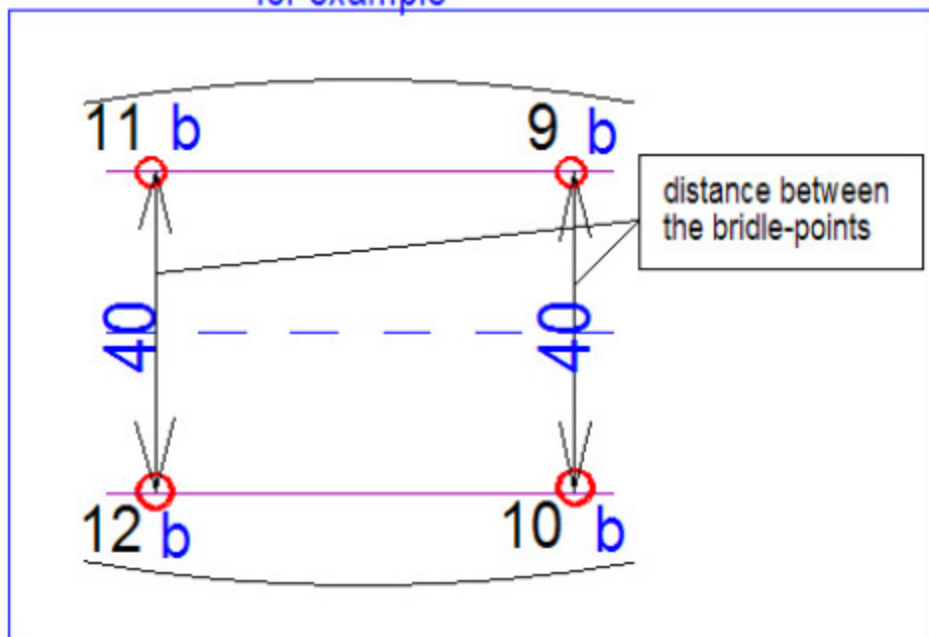
You need four pieces for the two back-fins, two for the bottom-side and two for the upper-side

the position of the cross-sections of the back-fin





for example



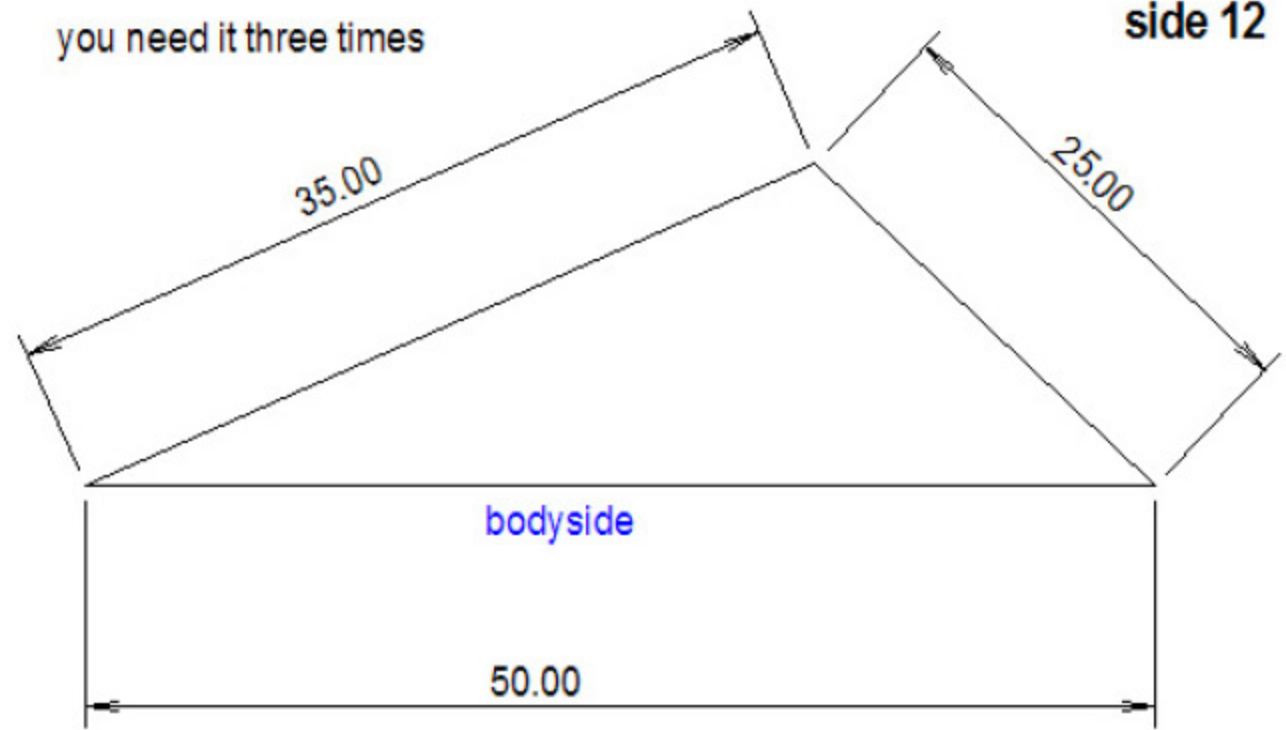
b = bridle-points of the body
all bridle-lines have the same length of 150 cm

length of the tension-lines inside of the body from point 1 to 16
between upper and bottom-side.

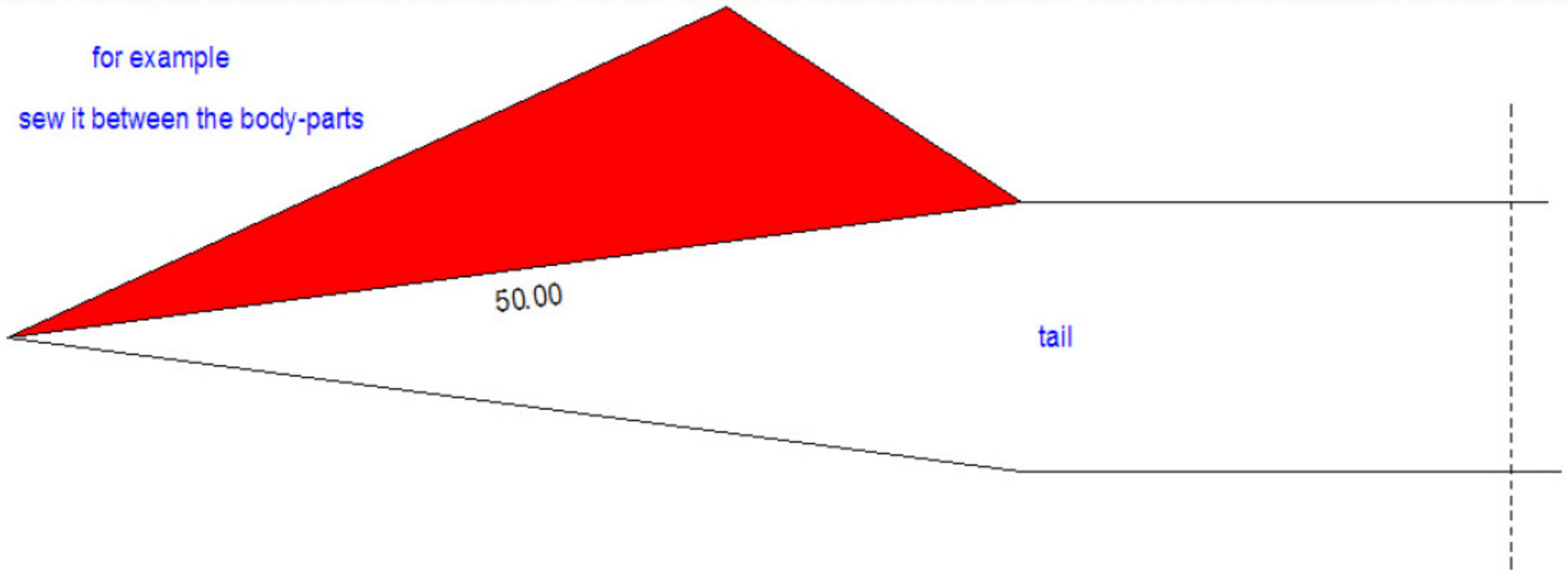
- 1 and 2 = 34 cm
- 3 and 4 = 40 cm
- 5 and 6 = 45 cm
- 7 and 8 = 50 cm
- 9 and 10 = 50 cm
- 11 and 12 = 48 cm
- 13 and 14 = 44 cm
- 15 and 16 = 40 cm

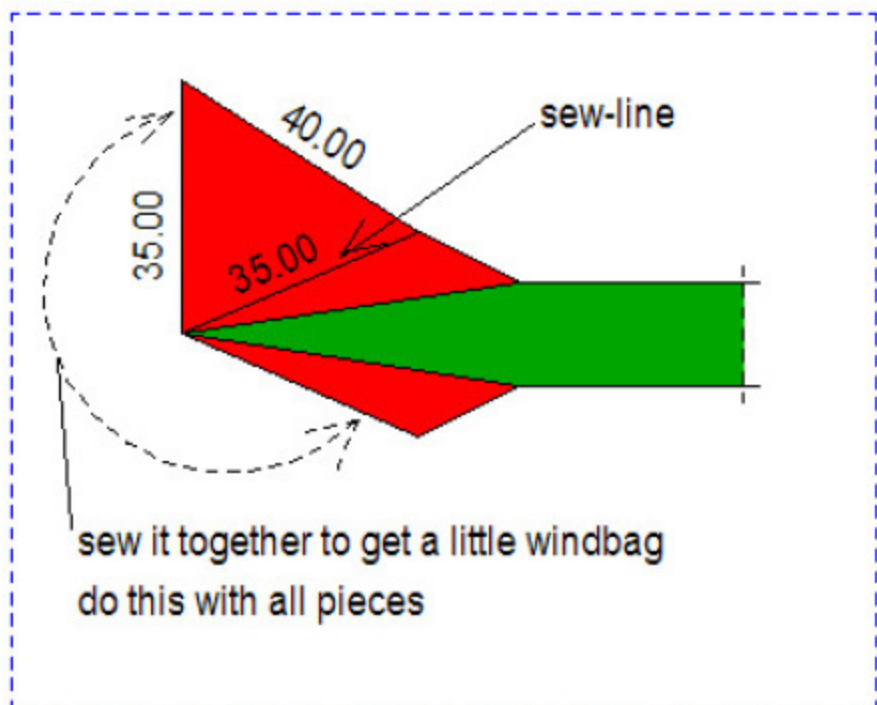
you need it three times

side 12

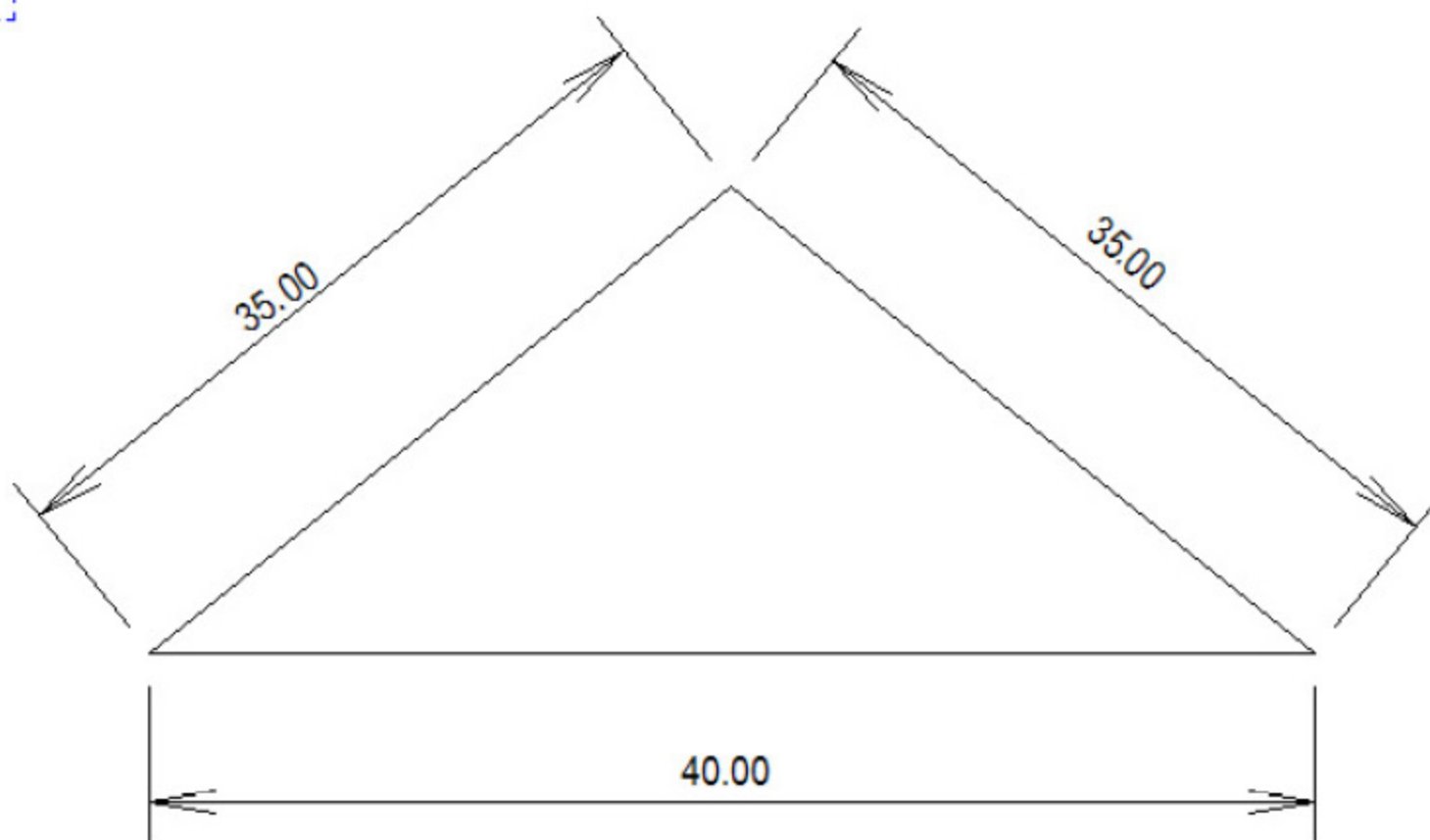


for example
sew it between the body-parts





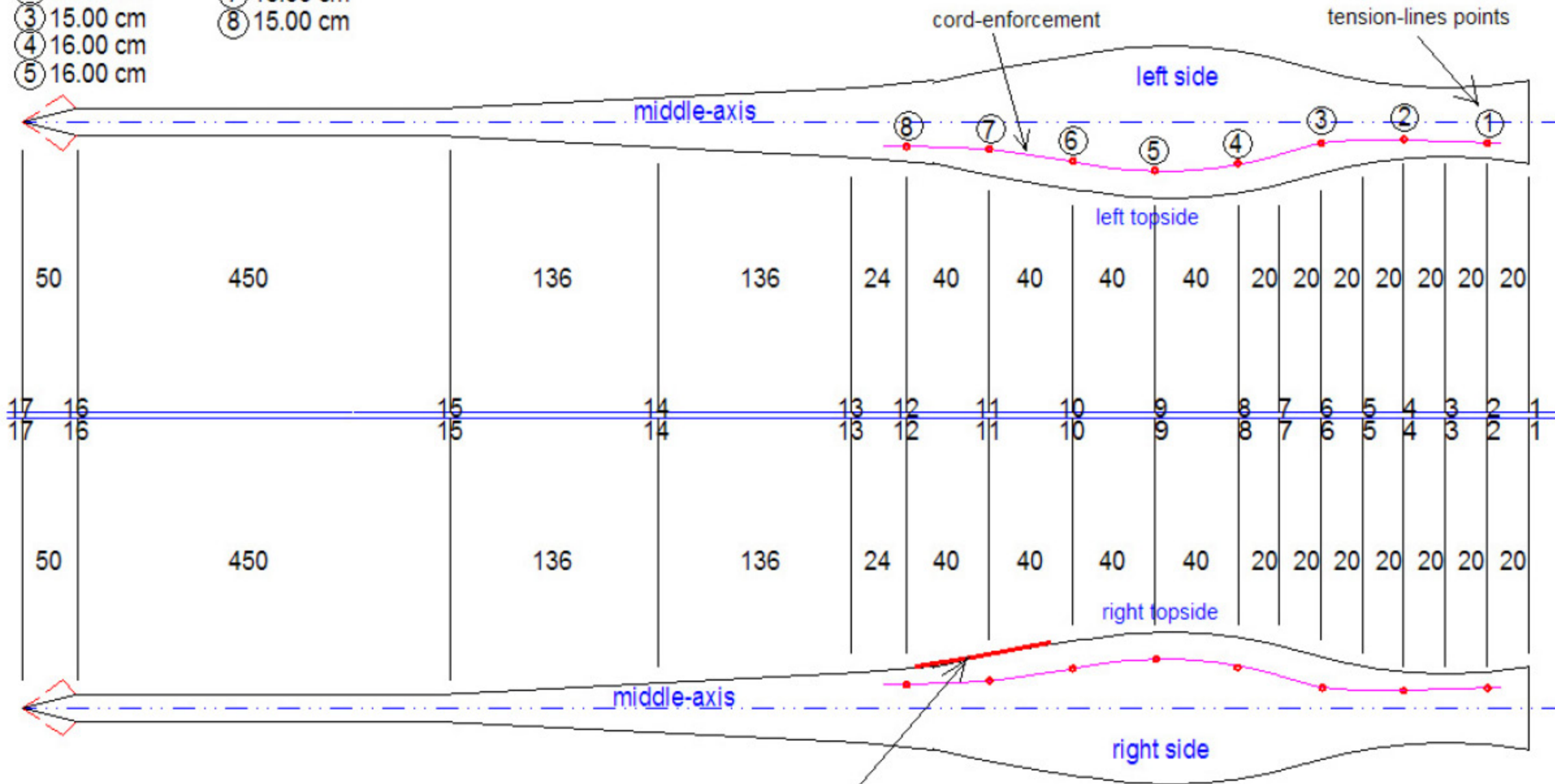
you need it three times



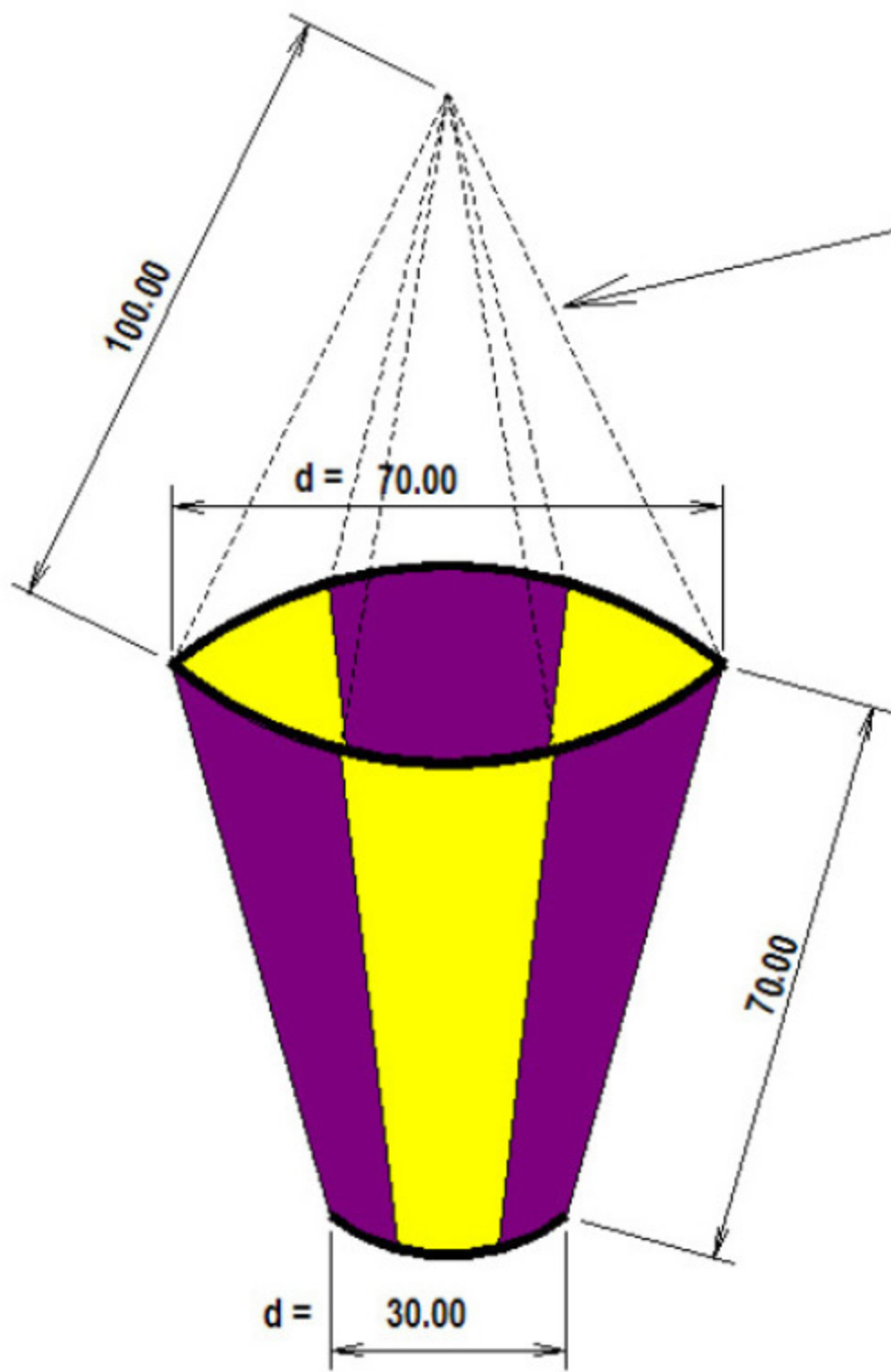
length between the middle-axis
and the tension-lines points

- ① 17.00 cm ⑥ 15.00 cm
- ② 15.00 cm ⑦ 15.00 cm
- ③ 15.00 cm ⑧ 15.00 cm
- ④ 16.00 cm
- ⑤ 16.00 cm

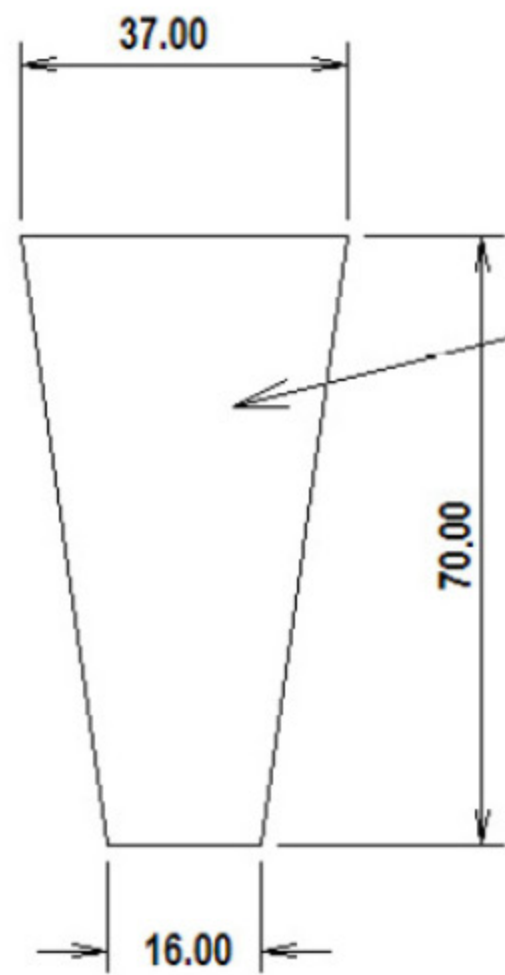
the position of the cord-enforcement of the left and right body-parts **side 13**



all length without seam addition !



the six bridle - lines



You need six pieces

all length in (cm) without seam - addition